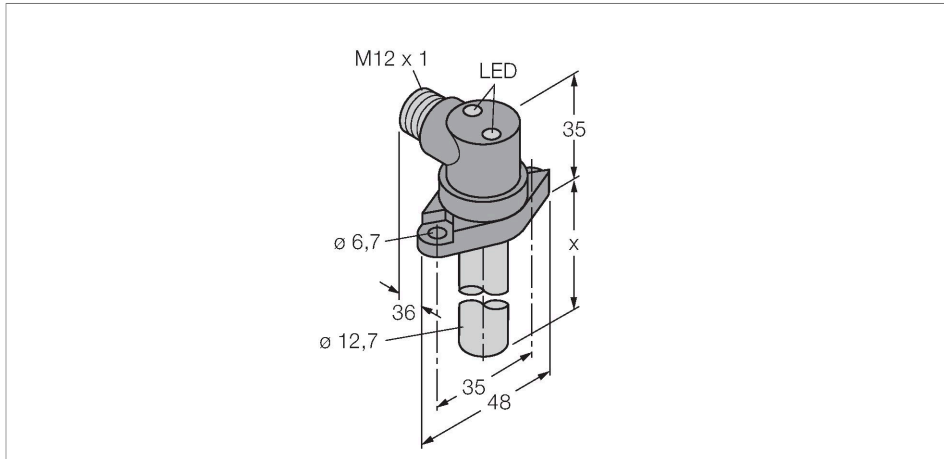


BI2-CRS524-AP4X2-H1141/S34

Inductive Sensor – For High Pressures



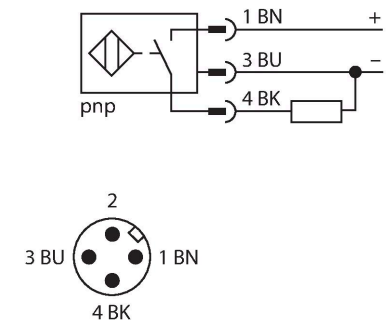
Technical data

Type	BI2-CRS524-AP4X2-H1141/S34
ID	4580090
Special version	S34 corresponds to: Weld-field immune proximity sensors
General data	
Rated switching distance	2 mm
Mounting conditions	Flush
Secured operating distance	$\leq (0.81 \times S_n)$ mm
Correction factors	St37 = 1; Al = 0.3; stainless steel = 0.7; Ms = 0.4
Repeat accuracy	≤ 2 % of full scale
Static pressure	≤ 200 bar
Dynamic pressure	≤ 100 bar
Permissible contact medium	electrically conductive
Temperature drift	$\leq \pm 10$ %
Hysteresis	3...15 %
Electrical data	
Operating voltage	10...65 VDC
Residual ripple	≤ 10 % U_{ss}
DC rated operational current	≤ 200 mA
No-load current	15 mA
Residual current	≤ 0.1 mA
Isolation test voltage	≤ 0.5 kV
Short-circuit protection	yes / Cyclic
Voltage drop at I_s	≤ 1.8 V

Features

- Smooth barrel, stainless steel, 1.4305
- $\varnothing 12.7$ mm
- Housing, GD-Zn, chromated
- Admissible pressure static/dynamic 200/100 bar
- Magnetic-resistant (insensitive to magnetic DC and AC fields)
- DC 3-wire, 10...65 VDC
- NO contact, PNP output
- M12 x 1 male connector

Wiring diagram



Functional principle

Inductive sensors detect metal objects contactless and wear-free. For this purpose they use a high-frequency electromagnetic AC field that interacts with the target. The sensors hosting a ferrite core coil generate the AC field through an LC resonant circuit.

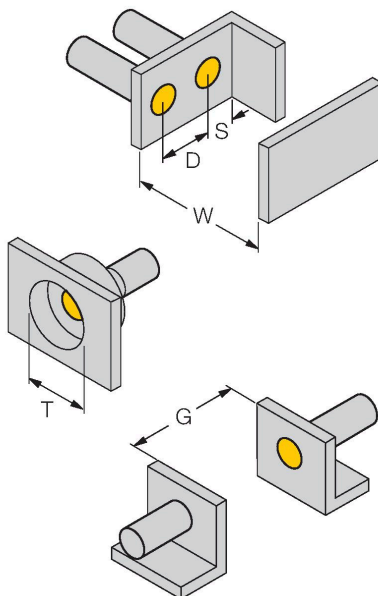
Technical data

Pressure-resistant inductive sensors withstand high pressures which makes them perfectly suited for position control in hydraulic cylinders.

Wire breakage/Reverse polarity protection	yes / Complete
Output function	3-wire, NO contact, PNP
Switching frequency	0.03 kHz
Mechanical data	
Design	Smooth barrel, 12.7 mm
Probe length	52.4 mm, probe length x
Housing material	Metal, 1.4305 (AISI 303)
Active area material	Plastic, PA12-GF30
Connector housing	metal, GdZn, chromated
Tightening torque fixing screw	7.3 Nm
Electrical connection	Connector, M12 × 1
Environmental conditions	
Ambient temperature	-25...+70 °C
Vibration resistance	55 Hz (1 mm)
Shock resistance	30 g (11 ms)
Protection class	IP67
Power-on indication	LED, Green
Switching state	LED, Yellow
Included in delivery	2 x socket head screw 1/4"-20 NPT, 5/8" long

Mounting instructions

Mounting instructions/Description



Distance D	2 x B
Distance W	3 x Sn
Distance T	3 x B
Distance S	1.5 x B
Distance G	6 x Sn
Diameter active area B	Ø 12.7 mm

The mounting receptacle and the O-ring supplied with the sensor are approved for high static and dynamic pressure. To ensure that the application is pressure-resistant, the mounting surface must also be designed accordingly. Ensure that the mounting surface is dry and free of dust during installation. Please also consider that oil can be displaced from the hydraulic system when the sensor probe is introduced, in which case the mounting surface will be moistened. Should this occur, a proper seal will not be established.

Recommended clearances:

0.64...1.19 mm to the hydraulic cylinder end position buffers being detected to allow for tolerances and wear.
>2.8 mm to the hydraulic cylinder piston rod to ensure that the sensor output switches off.