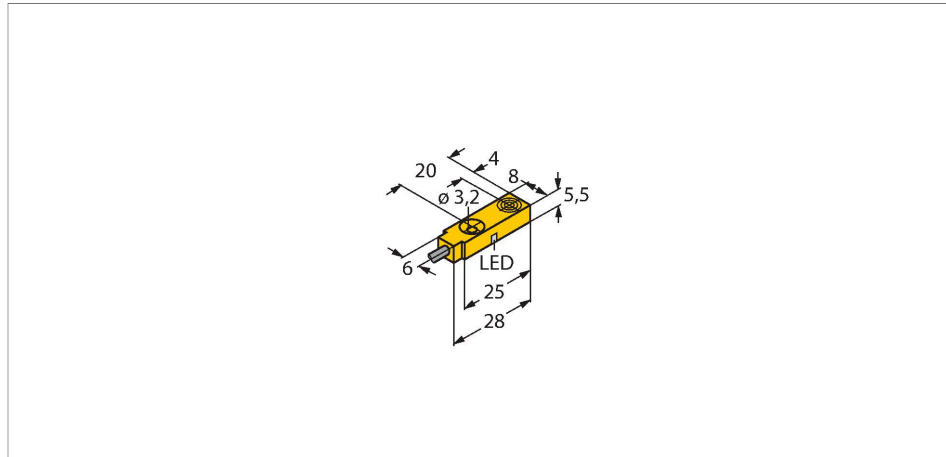


NI3.5-Q5.5-AP6X Inductive Sensor



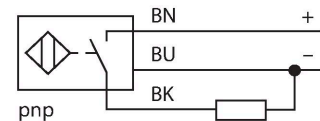
Technical data

Type	NI3.5-Q5.5-AP6X
ID	4613601
General data	
Rated switching distance	3.5 mm
Mounting conditions	Non-flush
Secured operating distance	$\leq (0.81 \times S_n)$ mm
Correction factors	St37 = 1; Al = 0.3; stainless steel = 0.7; Ms = 0.4
Repeat accuracy	≤ 2 % of full scale
Temperature drift	$\leq \pm 10$ %
Hysteresis	3...15 %
Electrical data	
Operating voltage	10...30 VDC
Residual ripple	≤ 10 % U_{ss}
DC rated operational current	≤ 150 mA
No-load current	15 mA
Residual current	≤ 0.1 mA
Isolation test voltage	≤ 0.5 kV
Short-circuit protection	yes / Cyclic
Voltage drop at I_o	≤ 1.8 V
Wire breakage/Reverse polarity protection	yes / Complete
Output function	3-wire, NO contact, PNP
Switching frequency	2 kHz

Features

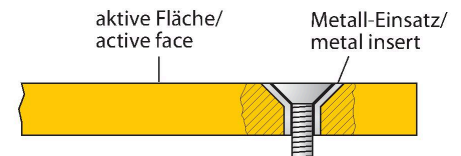
- Rectangular, height 5.5 mm
- Active face on top
- Plastic, PP
- DC 3-wire, 10...30 VDC
- NO contact, PNP output
- Cable connection

Wiring diagram



Functional principle

Inductive sensors detect metal objects contactless and wear-free. For this, they use a high-frequency electromagnetic AC field that interacts with the target. Inductive sensors generate this field via an RLC circuit with a ferrite coil.



NI3.5-Q5.5-AP6X | 11/07/2023 13-31 | technical changes reserved

Technical data

Mechanical data	
Design	Rectangular, Q5,5
Dimensions	28 x 8 x 5.5 mm
Housing material	Plastic, PP-GF20
Active area material	PP-GF20
Tightening torque fixing screw	0.5 Nm
Electrical connection	Cable
Cable quality	Ø 3 mm, Gray, Lif9Y-11Y, PUR, 2 m
	Suited for E-ChainSystems® acc. to manufacturers declaration H1063M
Core cross-section	3 x 0.14 mm ²
Environmental conditions	
Ambient temperature	-25...+70 °C
Vibration resistance	55 Hz (1 mm)
Shock resistance	30 g (11 ms)
Protection class	IP67
MTTF	2283 years acc. to SN 29500 (Ed. 99) 40 °C
Switching state	LED, Yellow

Mounting instructions

Mounting instructions/Description																	
	<table border="1"> <tbody> <tr> <td>Distance D</td> <td>3 x B</td> </tr> <tr> <td>Distance W</td> <td>3 x Sn</td> </tr> <tr> <td>Distance S</td> <td>1.5 x B</td> </tr> <tr> <td>Distance G</td> <td>6 x Sn</td> </tr> <tr> <td>Distance N</td> <td>2 x Sn</td> </tr> <tr> <td>Distance A</td> <td>1 x Sn</td> </tr> <tr> <td>Distance C</td> <td>2 x Sn</td> </tr> <tr> <td>Width active area B</td> <td>8 mm</td> </tr> </tbody> </table>	Distance D	3 x B	Distance W	3 x Sn	Distance S	1.5 x B	Distance G	6 x Sn	Distance N	2 x Sn	Distance A	1 x Sn	Distance C	2 x Sn	Width active area B	8 mm
Distance D	3 x B																
Distance W	3 x Sn																
Distance S	1.5 x B																
Distance G	6 x Sn																
Distance N	2 x Sn																
Distance A	1 x Sn																
Distance C	2 x Sn																
Width active area B	8 mm																

Accessories

MW-Q4.7/Q5.5

6945013

Mounting bracket for rectangular Q4.7
or Q5.5; material VA 1.4401

