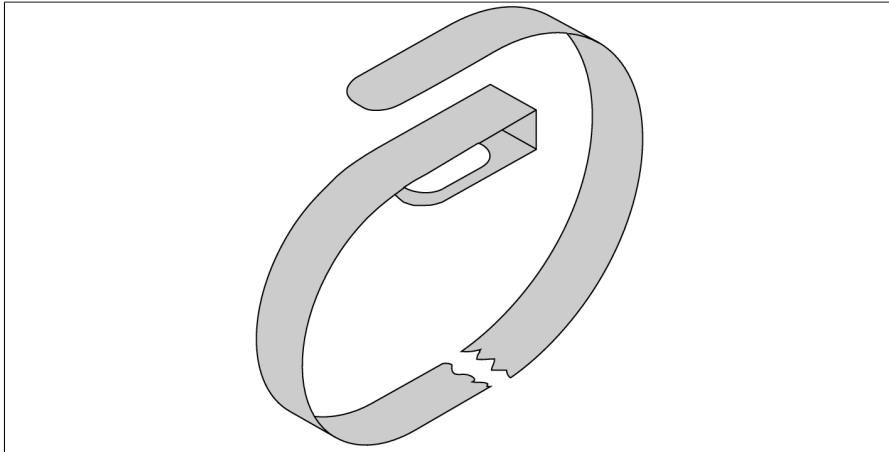
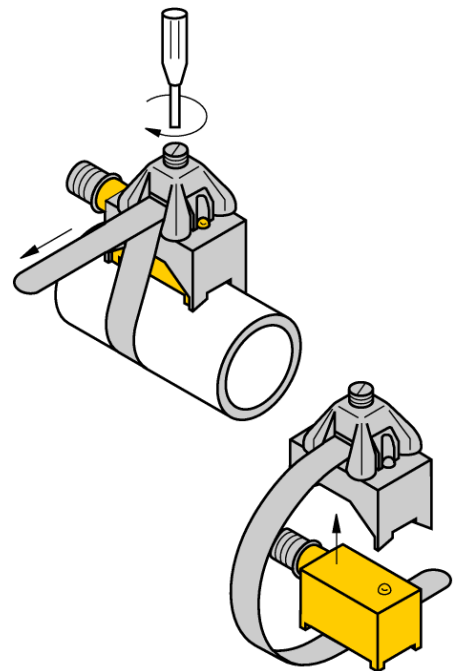


Mounting Accessories Assembly Bell For Round Cylinders KST-SB335



- Mounting on round cylinders
- Cylinder diameter 8...80 mm
- Material: Metal A2 1.4301 (AISI 304)



| | |
|--|--------------------------|
| Type | KST-SB335 |
| ID | 46738 |
| Design | Accessories, KST |
| Housing material | Metal, 1.4301 (AISI 304) |
| Fixing clamp for correspondent cylinder diameter | 8...68 mm |