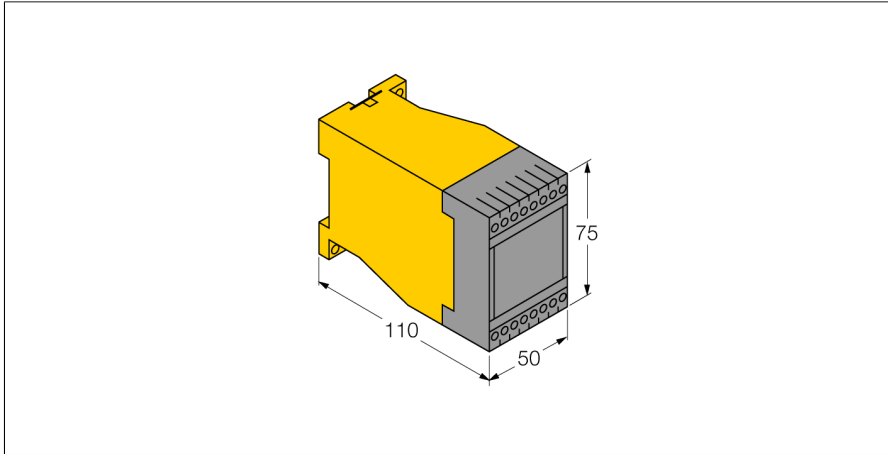
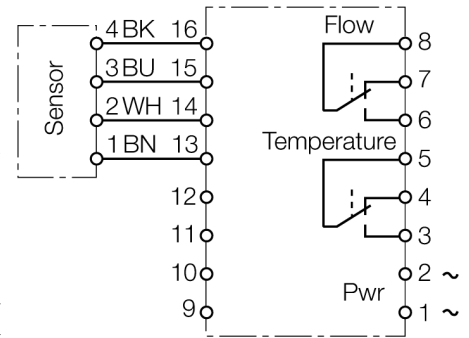


# Flow Monitoring MS96 for Flow Sensors MS96-12R/115VAC



- For connection of a standard flow sensor
- Adjustment via potentiometer
- 6 LEDs for display of the flow state
- Temperature monitoring adjustable -20...+100 °C
- Switch-off delay adjustable 0...25 s
- Wire-break monitoring
- 92...127 VAC
- 2 changeover contacts, relay outputs for flow and temperature

### Wiring Diagram



### Functional principle

Signal processors not only supply insertion and inline sensors with voltage, they also process and display the measured signals. Devices with MK96..., MS96... and MC96... housing styles are available. The individual housing styles are designed for different operating voltages and feature various output and supplementary functions. For intrinsically safe flow sensors it is required to use signal processors with intrinsically safe control circuits of the series MS96...Ex... and MC96...Ex...

ID	5231002
Type	MS96-12R/115VAC
Ambient temperature	-20...+60 °C
Operating voltage	92...127VAC
Current consumption	≤ 90 mA
Output function	Relay output, Complementary contact
Protection class	IP20
Protection class (terminals/housing)	IP20 / IP40
Design	Signal processor
Dimensions	110 x 50 x 75 mm
Housing material	Polycarbonate/ABS
Electrical connection	Terminal chamber
Indication: Drop below setpoint	LED Red
Indication: Setpoint reached	LED Yellow
Indication: Setpoint exceeded	4 × LEDs Green