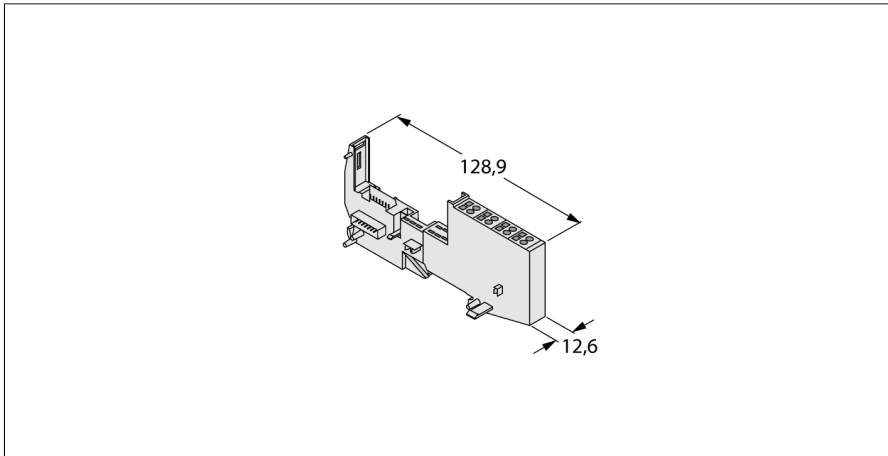


# BL20 base module

## Tension spring connection

### BL20-S4T-SBBS



ID	6827046
Dimensions (W x L x H)	12.6 x 128.9 x 49.9 mm
Approvals	CE, cULus, zone 2, Class I, Div. 2
Protection class	IP20

- Passive connection components for sensors and actuators
- Quick replacement of electronics in wired state
- Mechanical coding prevents plugging of wrong electronic module
- Protection class IP20
- Tension spring connection
- Disc design
- 8 contacts
- Wire stripping 8 mm
- Max. clamping width 0.5 ... 2.5 mm

#### Functional principle

Pin configuration i.e. signal assignment results from the combination with an electronic module. You find the pin configuration and the wiring diagrams on the data sheet of the corresponding electronic module.

The base modules are connected to the field devices via screw connections or tension spring connections.

#### Note

Further technical data, like for example the temperature range, are determined by the electronic modules and can be found on the data sheets.