

BL67 electronic module

8 Digital Outputs, PNP, 0.5 A

BL67-8DO-0.5A-P



- Independent of the fieldbus and connection technology used
- Protection class IP67
- LEDs indicate status and diagnostic
- Electronics galvanically separated from the field level via optocouplers
- 8 digital outputs, 24 VDC
- Max. 0.5 A
- PNP switching
- From version VN 01-07 and higher, the module supports accelerated start-up for applications with Fast Start-Up (FSU) and QuickConnect (QC).

Type	BL67-8DO-0.5A-P
ID	6827172
Number of channels	8
Supply voltage	24 VDC
Nominal voltage V_s	24 VDC
Nominal current from field supply	≤ 100 mA
Nominal current from module bus	≤ 30 mA
Max. sensor supply I_{sens}	4 A electronically limited current supply via gateway or power feed
max. load current I_L	10 A via gateway or power feed
Power dissipation, typical	≤ 1.5 W
Output connectivity	M8, M12, M23
Output type	PNP
Output voltage	24 VDC
Output current per channel	0.5 A
Output delay	3 ms
Load type	resistive, inductive, lamp load
Load resistance, resistive	$> 48 \Omega$
Load resistance, inductive	< 1.2 H
Lamp load	< 3 W
Switching frequency, resistive	< 200 Hz
Switching frequency, inductive	< 2 Hz
Switching frequency, lamp load	< 20 Hz
Short-circuit protection	yes
Simultaneity factor	1
Electrical isolation	electronics for the field level
Number of diagnostic bits	8

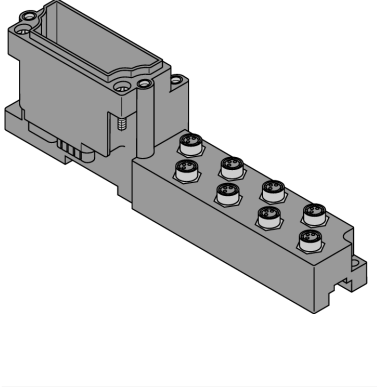
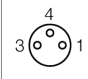
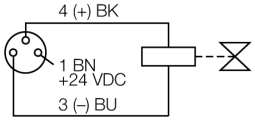
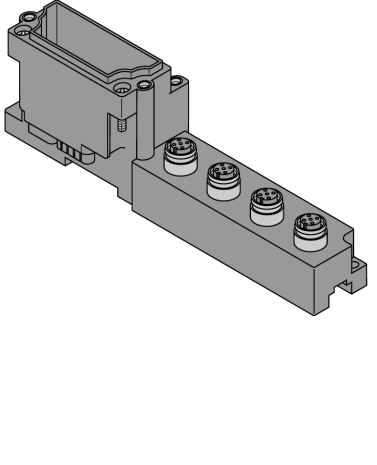
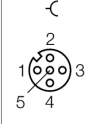
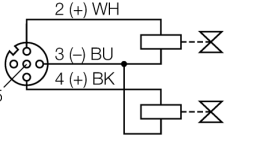
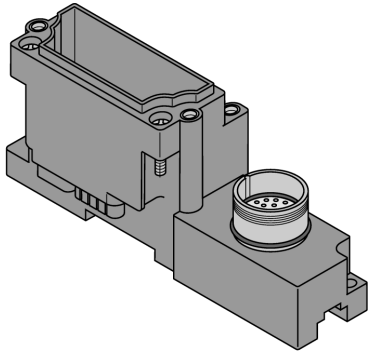
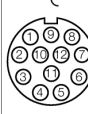
Functional principle

BL67 electronic modules are plugged on the purely passive base modules which in turn are connected to the field devices. The separation of connection level and electronics simplifies maintenance considerably. Flexibility is enhanced because the user can choose between base modules with different connection technologies.

The electronic modules are completely independent of the higher level fieldbus through the use of gateways.

Dimensions (W x L x H)	32 x 91 x 59 mm
Approvals	CE, cULus
Ambient temperature	-40...+70 °C
Temperature derating	
< 0 °C Ambient temperature	Support for version VN 01-03 and higher, no limitation
> 55 °C Steady ambient air	Simultaneity factor 0.5
Storage temperature	-40...+85 °C
Relative humidity	5...95 % (internal), level RH-2, no condensation (when stored at 45 °C)
Vibration test	Acc. to EN 61131
- up to 5 g (at 10 to 150 Hz)	for mounting on DIN rail no drilling according to EN 60715, with end bracket
- up to 20 g (at 10 up to 150 Hz)	for mounting on base plate or machinery Therefore every second module has to be mounted with two screws each.
Shock test	Acc. to IEC 60068-2-27
Drop and topple	acc. to IEC 68-2-31 and free fall to IEC 68-2-32
Electromagnetic compatibility	Acc. to EN 61131-2
Protection class	IP67
Tightening torque fixing screw	0.9...1.2 Nm

Compatible base modules

Dimension drawing	Type	Pin configuration
	<p>BL67-B-8M8 6827188 8 x M8, 3-pole, female</p> <p>Comments Matching connection cable (for example): PKG3M-2-PSW3M/TXL Ident-No. 6625668</p>	<p>Pin Assignment</p>  <p>1 = V_{SENS} 3 = GND 4 = Output A</p> <p>Wiring Diagram</p> 
	<p>BL67-B-4M12 6827187 4 x M12, 5-pole, female</p> <p>Comments Matching connection cable (for example): RKC4.4T-2-RSC4.4T/TXL Ident-No. 6625608</p> <p>BL67-B-4M12-P 6827195 4 x M12, 5-pole, female, paired</p> <p>Comments Matching connection cable (for example): RKC4.4T-2-RSC4.4T/TXL Ident-No. 6625608</p>	<p>Pin Assignment</p>  <p>1 = V_{SENS} 2 = Output B 3 = GND 4 = Output A 5 = PE</p> <p>Wiring Diagram</p> 
	<p>BL67-B-1M23 6827213 1 x M23, 12-pole, female</p> <p>Comments field-wireable connector (for example): FW-M23ST12Q-G-LT-ME-XX-10 Ident-No. 6604070</p>	<p>Pin Assignment</p>  <p>1 = Signal 0 7 = Signal 6 2 = Signal 1 8 = Signal 7 3 = Signal 2 9 = V_{SENS} 4 = Signal 3 10 = V_{SENS} 5 = Signal 4 11 = V_{SENS} 6 = Signal 5 12 = GND</p>

LED display

LED	Color	Status	Meaning
D		OFF	No error message or diagnostics active.
	RED	ON	Failure of module bus communication. Check if more than 2 adjacent electronic modules are pulled. Relevant modules are located between gateway and this module.
	RED	FLASHING (0.5 Hz)	Upcoming module diagnostics
DO channel		OFF	Status of channel x = „0“ (OFF), no diagnostics active
0...7	GREEN	ON	Status of channel x = „1“ (ON)
	RED	ON	Short circuit / overload on channel x

Data mapping

DATA	BYTE	Bit 7	Bit 6	Bit 5	Bit 4	Bit 3	Bit 2	Bit 1	Bit 0
Output	m	DO 7	DO 6	DO 5	DO 4	DO 3	DO 2	DO 1	DO 0

n = Offset of input data; depending on extension of station and the corresponding fieldbus.

m = Offset of output data; depending on extension of station and the corresponding fieldbus.

With PROFIBUS, PROFINET and CANopen, the I/O data of this module is localized within the process data of the whole station via the hardware configuration tool of the fieldbus master.

With DeviceNet™, EtherNet/IP™ and Modbus TCP a detailed mapping table can be created with the TURCK configuration tool I/O-ASSISTANT.

Pin assignment at corresponding base module:

DATA	BYTE	Bit 7	Bit 6	Bit 5	Bit 4	Bit 3	Bit 2	Bit 1	Bit 0
------	------	-------	-------	-------	-------	-------	-------	-------	-------

BL67-B-8M8									
Output	m	C7 P4	C6 P4	C5 P4	C4 P4	C3 P4	C2 P4	C1 P4	C0 P4
BL67-B-4M12									
Output	m	C3 P2	C2 P2	C1 P2	C0 P2	C3 P4	C2 P4	C1 P4	C0 P4
BL67-B-4M12-P									
Output	m	C3 P2	C3 P4	C2 P2	C2 P4	C1 P2	C1 P4	C0 P2	C0 P4
BL67-B-1M23(-VI)									
Output	m	C0 P8	C0 P7	C0 P6	C0 P5	C0 P4	C0 P3	C0 P2	C0 P1

C... = slot no., P... = pin no.