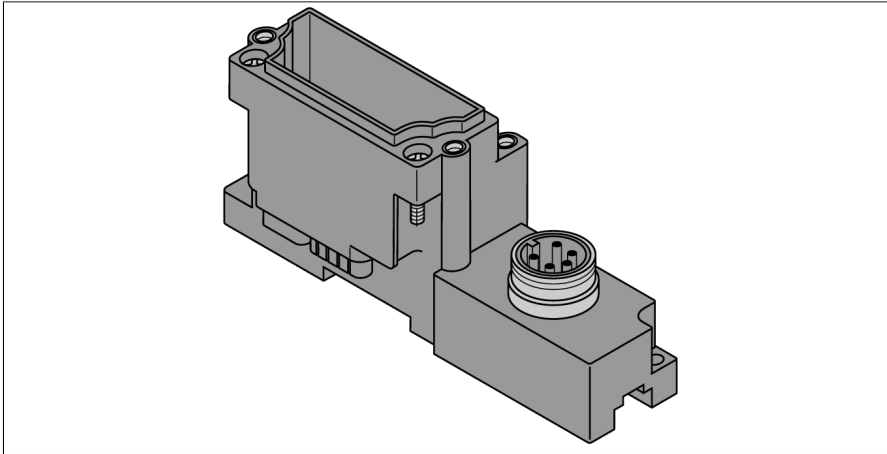


# BL67 base module

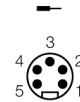
## 1 × 7/8" Connector, 5-pin

### BL67-B-1RSM



- Passive connection components for power feeding module
- Quick replacement of electronics in wired state
- Mechanical coding prevents incorrect electronic modules from being plugged in accidentally
- Protection class IP67
- 7/8" connection technology
- 5-pin
- Sensor supply
- Field resp. load voltage supply
- 1 port

#### Wiring Diagram



#### Functional principle

The pin resp. signal assignment results from the combination with an electronic module. You find the pin configuration and the wiring diagrams on the data sheet of the corresponding electronic module.

BL67 base modules are connected to the right of the gateway, using two screws for each module. A DIN rail is not required. This way, a compact and stable unit is built. The unit can now be mounted on a DIN rail or directly on the machine.

The field devices are connected to the base modules which are available with different connection technology (M8, M12, M23 and 7/8").

#### Note

Further technical data like temperature range are determined by the electronic modules and can be found on the data sheets.

Type	BL67-B-1RSM
ID	6827190
Housing material	Polycarbonate, flame resistance (PC V0)
Housing color	Gray (RAL 7015)
Tightening torque fixing screw	0.9...1.2 Nm
DIN rail mounting	yes, Attention: Offset
Direct mounting	Two mounting holes, 6
Connector A	Male Receptacle, 7/8"-16 UN, Threaded
Housing material/finish	Brass, CuZn, Nickel-plated
Contact carriers	Plastic, TPU, Black
Contacts	Metal, CuZn, Gold-plated
Panel seal	plastic, NBR
Insulation resistance	$\geq 10^8 \Omega$
forward resistance	$\leq 5 \text{ m}\Omega$
Pollution degree	3/2
Number of contacts	5
Ampacity	10A
Voltage	250 V
Protection class (When coupled)	IP67, Only when screwed or plugged together
Mechanical life	> 100 Mating cycles