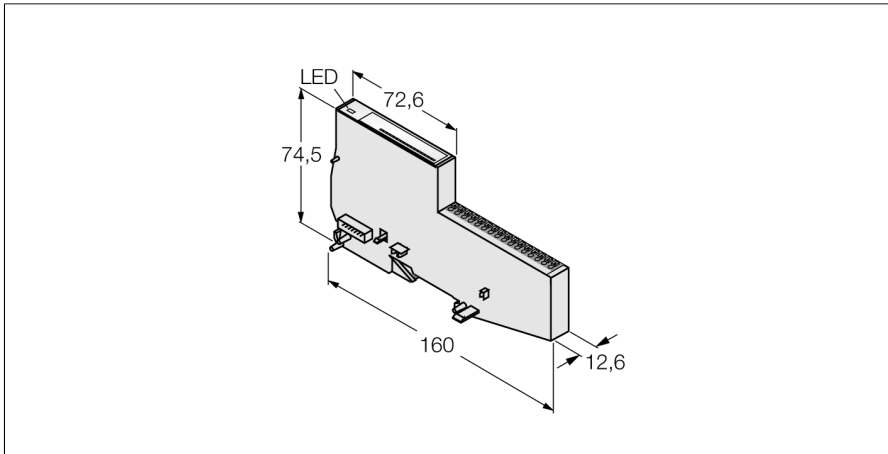


BL20 Economy Module

4 Analog Outputs for Current/Voltage

BL20-E-4AO-U/I



- Fieldbus-independent
- Electronics and connection technology in one housing
- Connectivity: Push-in terminals
- Protection class IP20
- LEDs indicate status and diagnostic
- Electronics galvanically separated from the field level via optocouplers
- 4 analog outputs
- 0 ... 20 mA, 4 ... 20 mA, -10 ... +10 VDC or 0 ... +10 VDC,
- Selectable per channel

Type	BL20-E-4AO-U/I
ID	6827328
<hr/>	
Number of channels	4
Rated voltage from the supply terminal	24 VDC
Admissible range	18...30 VDC
Nominal current from field supply	≤ 130 mA
Nominal current from module bus	≤ 50 mA
Power dissipation, typical	≤ 2.6 W
<hr/>	
Output connectivity	Push-in
<hr/>	
Outputs	
Output type	0/4...20 mA or -10/0...+10 VDC
Load resistance, resistive	< 0.45 kΩ (current) or > 1 kΩ (voltage) kΩ
Load resistance, inductive	< 0.01 mH (voltage mode) mH
Load resistance, capacitive	< 1 μF (current mode) μF
Electrical isolation	electronics for the field level
<hr/>	
Basic fault limit at 23 °C	< 0.2 %
Temperature coefficient	< 200 ppm/°C of full scale
Resolution	16 Bit
Measured-value display	16 bit signed integer
	Presentation: 16 bit signed integer
	Presentation: 12 bit left-justified
Cycle time	≤ 50 ms
<hr/>	
Number of diagnostics bytes	4
Number of parameter bytes	12

Functional principle

Electronics and connection technology are integrated in the housing. A base module is not needed. Economy modules and modules with separate electronics and connection technology can be fitted into a station, provided the base modules feature tension spring connections.

The use of gateways makes economy modules completely independent from the higher level fieldbus.

Dimensions (W x L x H)	12.6 x 160 x 74.6 mm
Approvals	CE, Zone2, ClassI,Div.2.
Ambient temperature	0...+55 °C
Storage temperature	-25...+85 °C
Relative humidity	15...95 %, no condensation allowed
Vibration test	Acc. to EN 61131
Shock test	Acc. to IEC 60068-2-27
Drop and topple	acc. to IEC 68-2-31 and free fall to IEC 68-2-32
Electromagnetic compatibility	Acc. to EN 50082-2
Protection class	IP20
MTTF	331 years acc. to SN 29500 (Ed. 99) 20 °C

Terminal assignment



Analog Outputs

Pin Assignment

