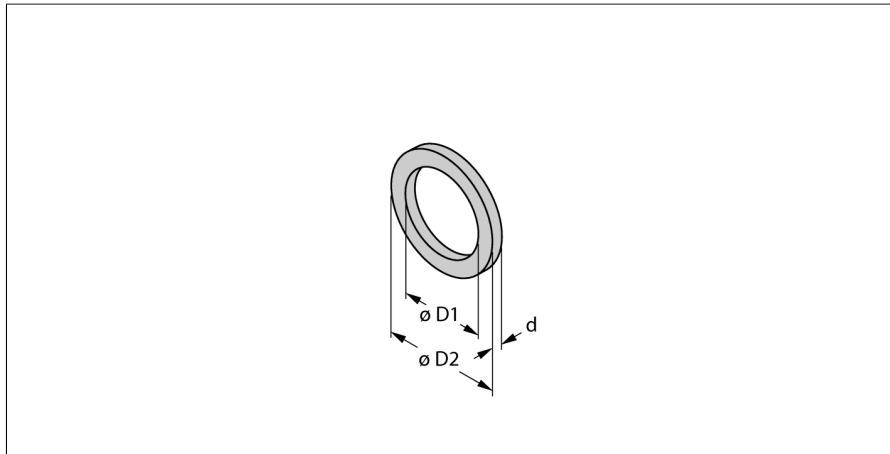


Accessories

O-Ring

For Flow Sensors

FD-G1/4AFM30/34G1/4 Dichtung a. AFM30/34



- G $\frac{1}{4}$ " O-ring AFM30
- External diameter 19 mm
- Internal diameter 13 mm
- Thickness 1.5 mm

ID	6875010
Type	FD-G1/4AFM30/34G1/4 Dichtung a. AFM30/34