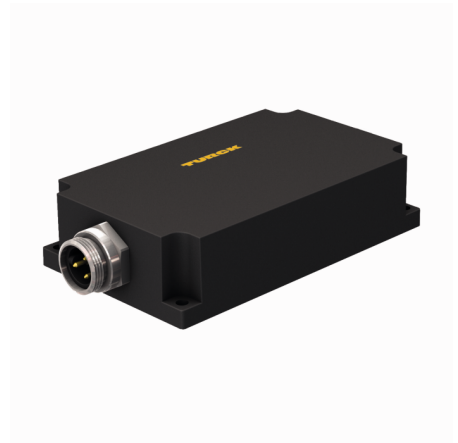
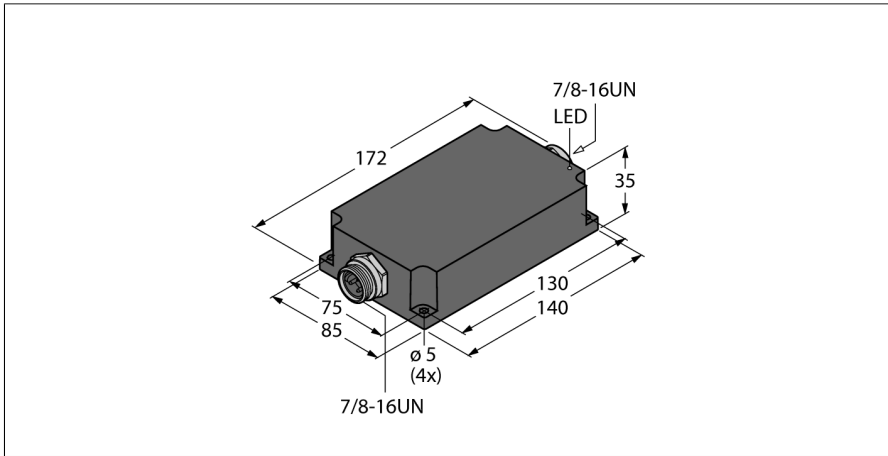


Compact power supply module in IP67

24 VDC output voltage - 2 A output current

PSU67-11-2420/M

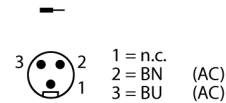


- Broad temperature range
- Status LED

Type	PSU67-11-2420/M
ID	6884140

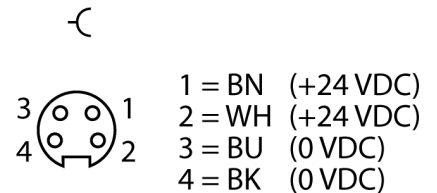
Nominal voltage	Universal voltage supply unit
Operating voltage	100...240 VAC
Frequency	50...60 Hz
Operating voltage	100...300 VDC
External fuse	B10A, C10A
Mains buffering	Ui: 100...240 VAC/ 50 ms

7/8" Input Assignment



Nominal output voltage	24 V
Nominal current	2 A
Overload protection	105-130 %
Parallel mode	no
Ripple	240 mV
Short-circuit behaviour	Current limiting

7/8" Output Assignment



Approval	<p>CE compliant</p> <p>UL certified</p> <p>RoHS compliant</p> <p>Safety extra low voltage SELV acc. to EN 60950-1: 2016 + A11: 2009 + A1: 2010 + A12: 2011 + A2: 2013 (Information technology equipment - safety)</p> <p>EN 61000-6-2: 2005 (Immunity)</p> <p>EN 61000-6-3: 2007 + A1: 2011 (Emission)</p> <p>EN 61000-3-2: 2006 + A1: 2009 + A2: 2009 (Harmonics)</p>
----------	--

Operational readiness	Green
-----------------------	-------

Protection class	IP67
Ambient temperature	-25...+60 °C
Storage temperature	-40...+85 °C
Derating	2 %/K from 50 °C
Dimensions	85 x 172 x 35 mm
Weight	833 g
Housing material	Glass fiber-reinforced polyamide, PA66-GF25
Electrical connection	Connector
MTTF	87 years acc. to SN 29500 (Ed. 99) 40 °C