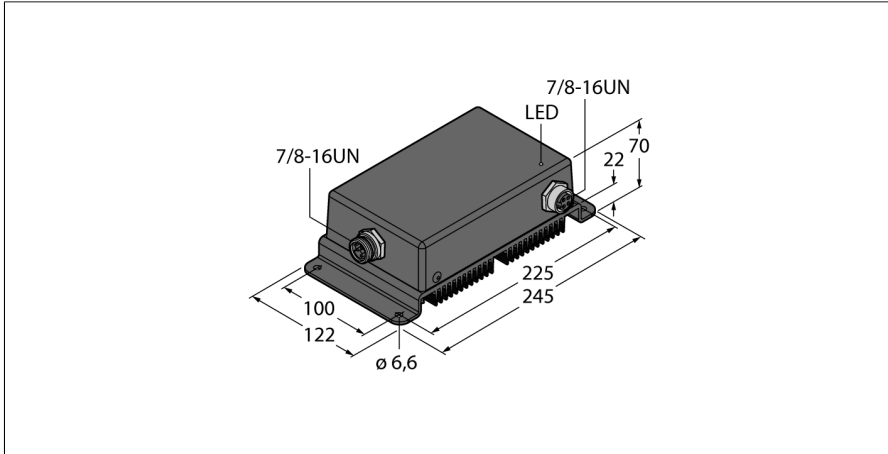


Compact power supply module in IP67

24 VDC output voltage - 8 A output current

PSU67-11-2480/M



- Broad temperature range
- Status LED

| | |
|------|-----------------|
| Type | PSU67-11-2480/M |
| ID | 6884147 |

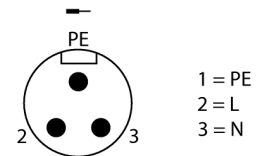
| | |
|----------------------------|-------------------------------|
| Nominal voltage | Universal voltage supply unit |
| Operating voltage | 100...240 VAC |
| Frequency | 50...60 Hz |
| Operating voltage | 100...300 VDC |
| Power consumption | ≤ 217 VA |
| Power dissipation, typical | ≤ 24 W |
| Mains buffering | Ui: 100...240 VAC/ 50 ms |

| | |
|-------------------------|------------------|
| Nominal output voltage | 24 V |
| Nominal current | 8 A |
| Overload protection | 105-130 % |
| Parallel mode | no |
| Ripple | 240 mV |
| Short-circuit behaviour | Current limiting |

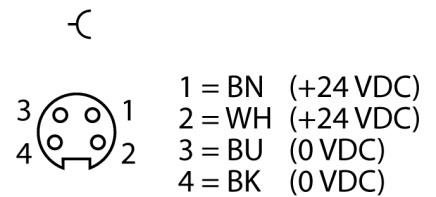
| | |
|----------|-----------------------------------------------------------------------------------------------------------------------------------------------------------------------------------------------------------------------------------------------------------------------------------------------------------------------------------------|
| Approval | CE compliant UL certified RoHS compliant Safety extra low voltage SELV acc. to EN 60950-1: 2016 + A11: 2009 + A1: 2010 + A12: 2011 + A2: 2013 (Information technology equipment - safety) EN 61000-6-2: 2005 (Immunity) EN 61000-6-3: 2007 + A1: 2011 (Emission) EN 61000-3-2: 2006 + A1: 2009 + A2: 2009 (Harmonics) |
|----------|-----------------------------------------------------------------------------------------------------------------------------------------------------------------------------------------------------------------------------------------------------------------------------------------------------------------------------------------|

| | |
|-----------------------|-------|
| Operational readiness | Green |
|-----------------------|-------|

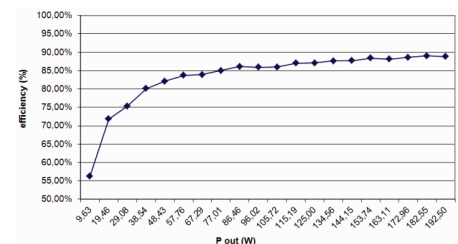
Input assignment 7/8" (XD1)



7/8" Output Assignment



Characteristic



| | |
|-----------------------|------------------------------------------|
| Protection class | IP67 |
| Ambient temperature | -25...+60 °C |
| Storage temperature | -40...+85 °C |
| Derating | 2 %/K from 50 °C |
| Dimensions | 122 x 245 x 70 mm |
| Weight | 3250 g |
| Housing material | Aluminium, ADC-12 |
| Electrical connection | Connector |
| MTTF | 54 years acc. to SN 29500 (Ed. 99) 40 °C |