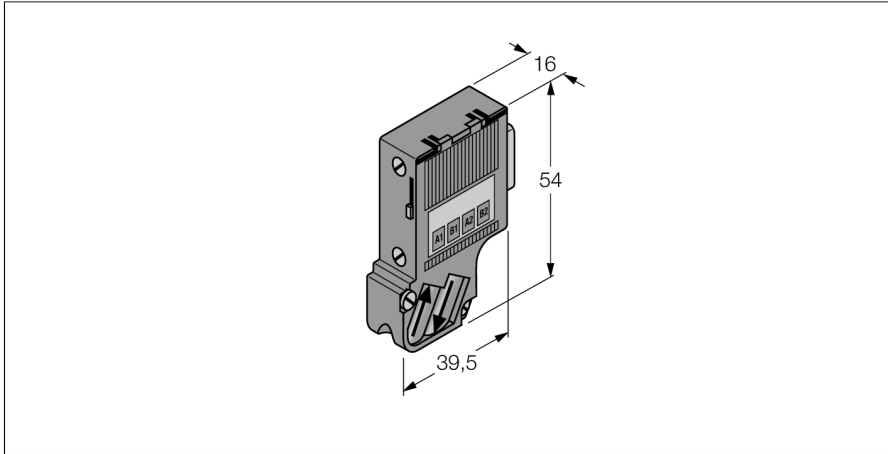


# excom I/O System

## RS485 Male, PROFIBUS

### D9T-RS485 /6ES7972-0BA61-0XA0



- Sub-D FastConnect with 125° cable outlet, switchable terminating resistor, without hookup for programming device
- The connector can be plugged on the non-intrinsically safe end of the segment coupler SC12Ex or OC11Ex/3G!

Type	D9T-RS485 /6ES7972-0BA61-0XA0
ID	6890942
Protection class	IP20
Dimensions	16 x 54 x 39.5 mm