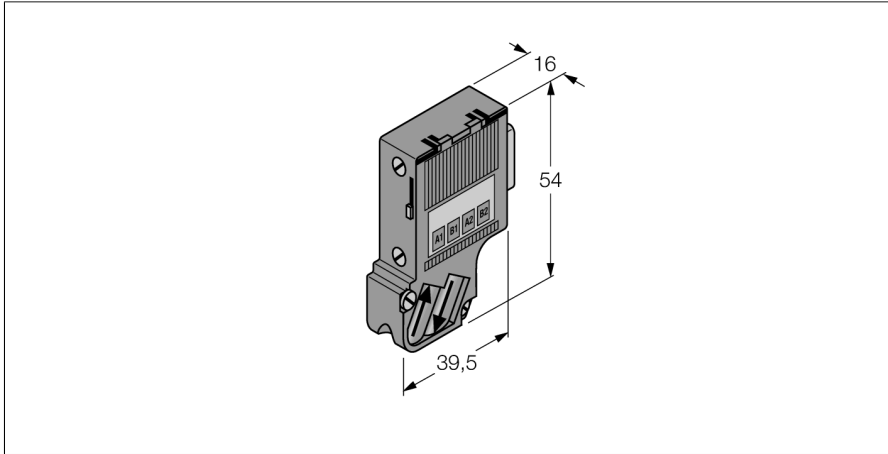


excom I/O System

RS485-IS Male, PROFIBUS

D9T-RS485IS /6ES7972-0DA60-0XA0



- Sub-D FastConnect male connector with 125° cable outlet, for connection of segment coupler to the RS485-IS layer
- The male connector must be connected to an intrinsically safe RS485-IS connection.

Type	D9T-RS485IS /6ES7972-0DA60-0XA0
ID	6890944
Ex approval acc. to conformity certificate	KEMA 04 ATEX 1233
Device designation	Ex II 2 G Ex ib IIC T4
Device marking	Ex
Protection class	IP20
Dimensions	16 x 54 x 39.5 mm
Approvals	ATEX