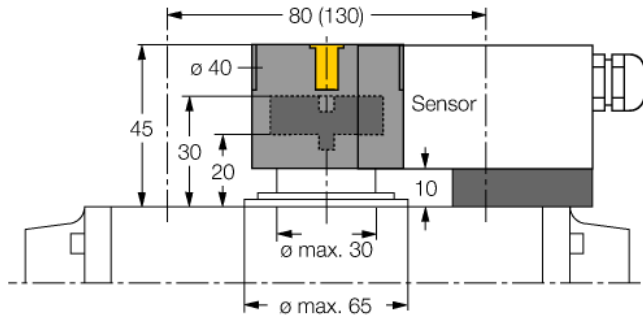


# Accessories

## Mounting Kit

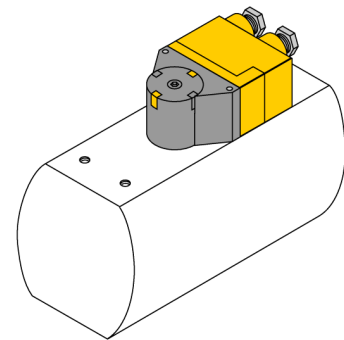
### BTS-DSU35-Z01



Mounting kit for larger rotary actuators:  
 Ø spacer plate and snap ring: max. 65 mm  
 Hole pattern on flange surface: 30 x 80 mm  
 (30 x 130 mm)  
 Connection shaft (shaft extension) height:  
 20 mm/Ø: max. 30 mm  
 Included in delivery:  
 1 spacer plate 10 mm  
 1 spacer ring 10 mm  
 Mounting the spacer plate:  
 2 cylinder screws M5 x 22 [DIN 912-A2]  
 2 lock washers A5 [DIN 137-A2]  
 Mounting the puck with spacer ring:  
 1 countersunk screw M6 x 36 [DIN 7991-A2])

#### General description

Dual sensors are especially designed for position detection in rotary actuators. They combine the reliability of non-contact inductive sensors with the flexibility of a modular housing system. A broad range of practice-oriented accessories ensure optimal adaption to your system.



Type	BTS-DSU35-Z01
ID	6900229
Design	Accessories for dual sensors, Ni4-DSU35...
Housing material	Plastic, POM