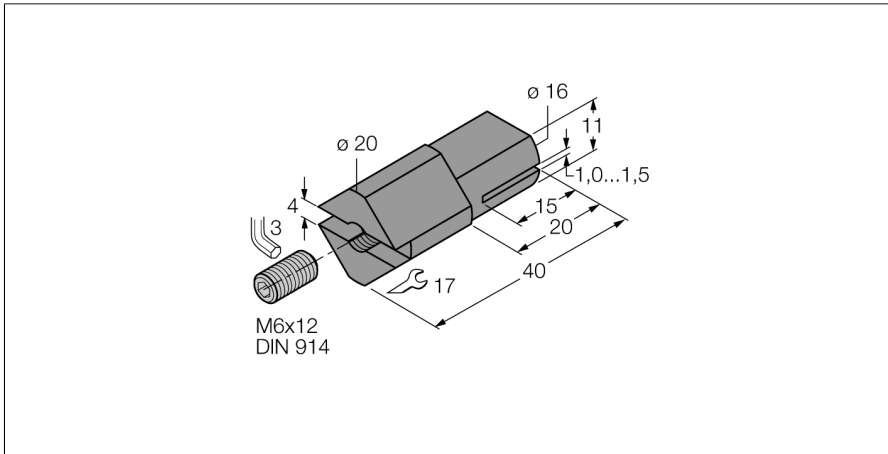


Mounting Accessories

Mounting Kit

BTS-DSU35-KEY1



- Adapter for Tyco rotary actuator series Premi-Air and Keystone
- Height 20 mm / SW17
- Standard 4 mm slot as per VDI/VDE 3845
- 3-mm socket head screw (setscrew) for fixing the adapter in the drive
- Plastic, POM

General description

Dual sensors are especially designed for position detection in rotary actuators. They combine the reliability of non-contact inductive sensors with the flexibility of a modular housing system. A broad range of practice-oriented accessories ensure optimal adaption to your system.

| | |
|-------------------|--|
| Type | BTS-DSU35-KEY1 |
| ID | 6900433 |
| Design | Accessories for dual sensors, Ni4-DSU35... |
| Dimensions | 40 x 17 x 17 mm |
| Housing material | Plastic, POM |
| Tightening torque | ≤ 1.5 Nm |

