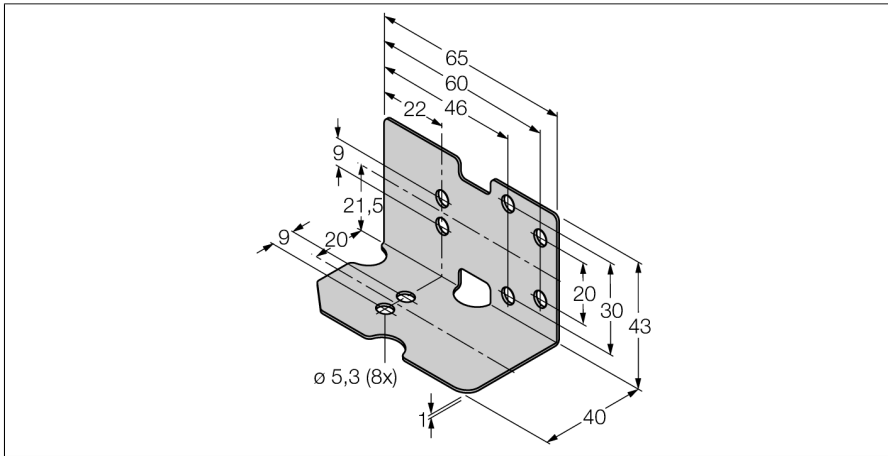


# Mounting Accessories

## protective frame

### MF-CK40-2S

- Protective frame (L-profile)



Type	MF-CK40-2S
ID	6900482
Design	Accessories for rectangular types, CK40
Dimensions	65 x 43 x 1 mm
Housing material	Metal, 1.4301 (AISI 304)