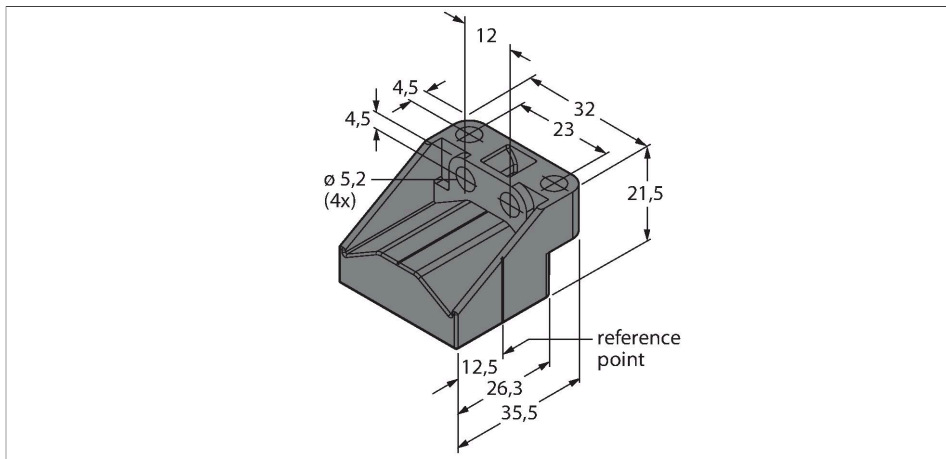


P2-LI-Q25L

Accessories – Positioning Element For Linear Position Sensors LI-Q25L



Features

- Free positioning element
- Installation up to 4mm away from the sensor.

Technical data

Type	P2-LI-Q25L
ID	6901042
Design	P2-Li-Q25L
Housing material	Plastic