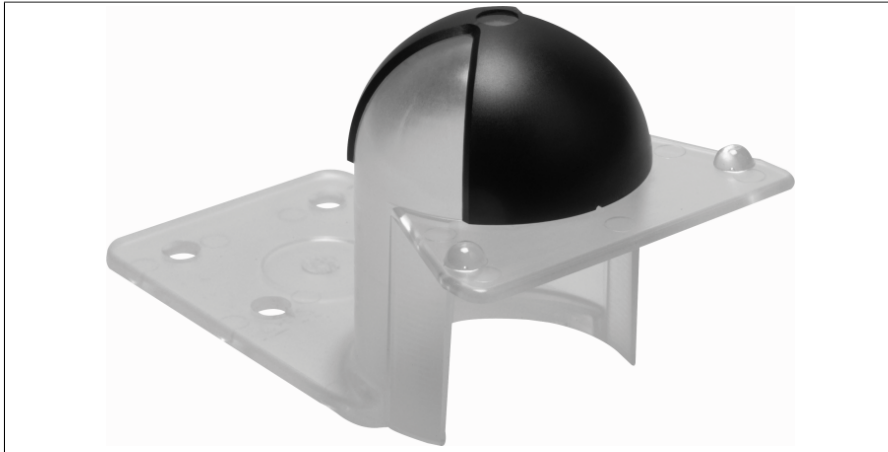


# Mounting Accessories

## Plastic Cover for Optical Indicator Dome

### For DSU35 Dual Sensors

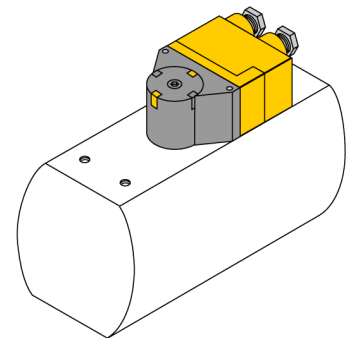
#### BTS-DSU35-DOME COVER



- Cover for optical indicator "Dome"
- Inspection window for indicator 90° rotatable
- Hole pattern on flange face 30 x 80 mm (30 x 130 mm); connection shaft (shaft extension) height 20 mm / Ø max. 30
- including mounting screws for sensor and actuator

#### General description

Dual sensors are especially designed for position detection in rotary actuators. They combine the reliability of non-contact inductive sensors with the flexibility of a modular housing system. A broad range of practice-oriented accessories ensure optimal adaption to your system.



Type	BTS-DSU35-DOME COVER
ID	6901074
Design	Accessories for dual sensors, Ni4-DSU35...
Dimensions	110 x 62.2 x 61 mm
Housing material	Plastic, PC
Included in delivery	2x cylinder screw M5x12 (DIN 912-A2) 2x lock washers A5 (DIN 137A2)