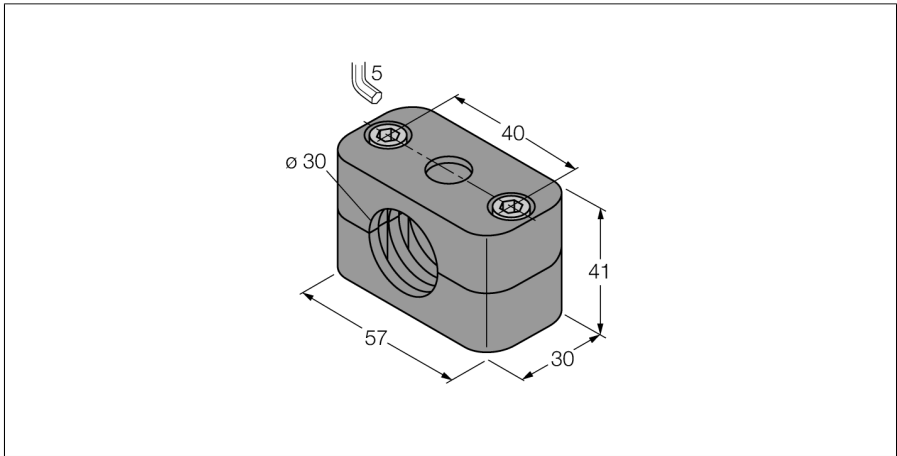


Mounting Accessories

Mounting Clamp

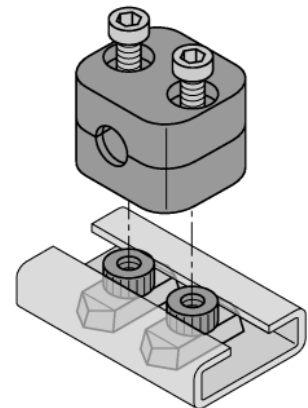
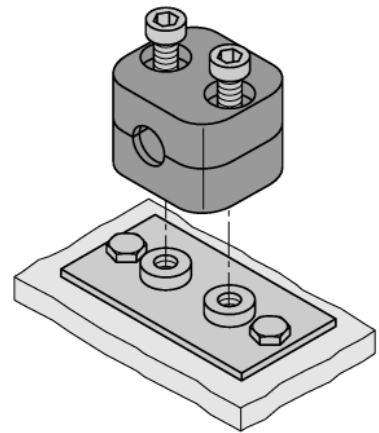
BSS-30



- Mounting accessories for M30x1.5 threaded barrel sensors
- Plastics, polypropylene

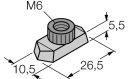
General description

The portfolio consists of two half-shells and two Allen screws each. Optionally, welding plates or DIN rail nuts can be used (to be ordered separately).



| | |
|---------------------------------------|---------------------------------------|
| Type | BSS-30 |
| ID | 6901319 |
| Design | Accessories for threaded barrels, M30 |
| Dimensions | 30 x 57 x 41 mm |
| Housing material | Plastic, PP, Green |
| Max. tightening torque of housing nut | 1 Nm |
| Included in delivery | 2 x Allen screws, M6 |

Accessories

| Type code | Ident-No. | | Dimension drawing |
|---------------|-----------|--|---|
| BSS-TSM 2 pcs | 6901323 | DIN rail nut for BSS and BSM mounting clips, for mounting on DIN rails |  |