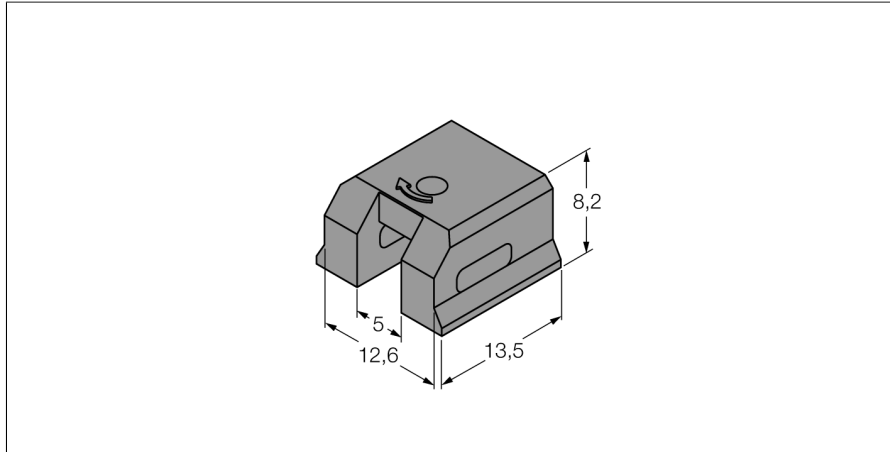


Mounting Accessories

Mounting Bracket

For Dovetail Groove Cylinders

KLDT-UNT5



- Mounting on dovetail groove cylinders
- Groove width: 12.6 mm (e.g. Parker)
- Plastic: Polyphenylene sulfide (PPS)

Type	KLDT-UNT5
ID	6913354
Design	Accessories
Dimensions	13.5 x 12.6 x 8.2 mm
Housing material	Plastic
Fixing clamp for correspondent cylinder diameter	alle