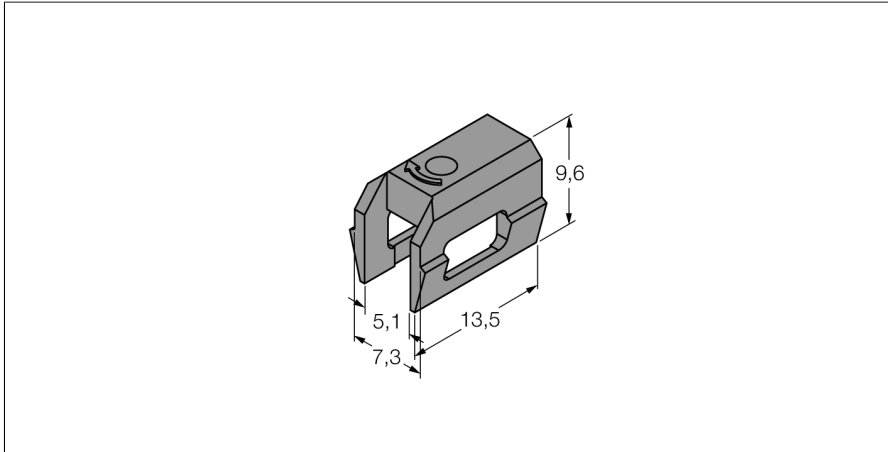


Mounting Accessories

Mounting Bracket

For Dovetail Groove Cylinders

KLDT-UNT6



- Mounting on dovetail groove cylinders
- Groove width: 7.35 mm (e.g. SMC type CP95)
- Plastic: Polyphenylene sulfide (PPS)

Type	KLDT-UNT6
ID	6913355
Design	Accessories
Dimensions	13.5 x 7.3 x 9.5 mm
Housing material	Plastic
Fixing clamp for correspondent cylinder diameter	alle