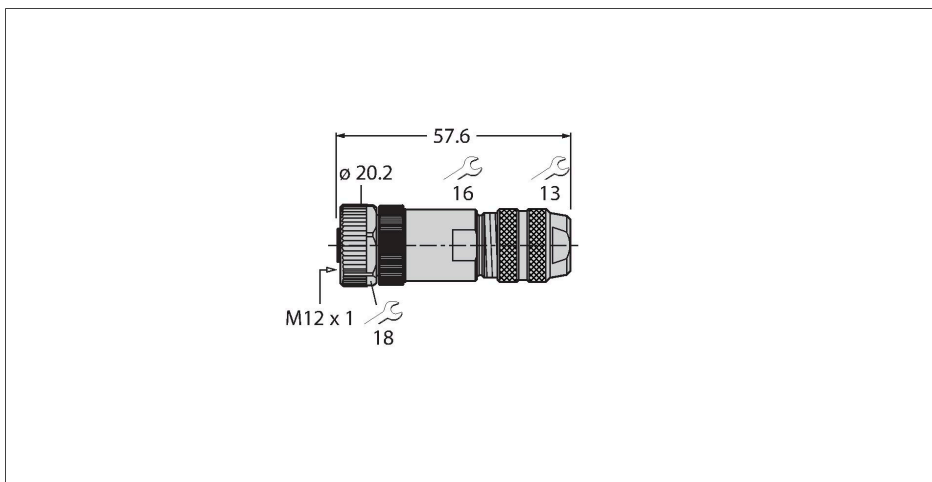


CMB8141-0

Field-Wireable Connector

Female Connector M12 × 1, Straight



Technical data

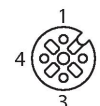
Type	CMB8141-0
ID	6930375
Connector A	Female, M12 × 1, Straight, A-code
Number of contacts	4
Contacts	CuZn, Gold-plated
Contact carriers	Plastic, PA, Black
Connector body	Die-cast Zinc, GD-Zn, nickel-plated, Black
Coupling nut	Die-cast Zinc, GD-Zn, Nickel-plated
Connector seal	Plastic, FPM/FKM
Acceptable cable diameter	6...8 mm
Core cross-section/Clamping ability	0.14...0.75 mm ²
Connection mode	Screw/clamp connection
Mechanical life	> 100 Mating cycles
Protection class (When coupled)	IP67, (screwed together)
Electrical properties at +20 °C	
Rated voltage	250 V
Current	4 A
Insulation resistance	≥ 10 ⁹ Ω
forward resistance	≤ 3 mΩ
Mechanical and chemical properties	
Ambient temperature range (static)	-40 °C...+85 °C

Features



- A-coding
- Metal housing
- Shieldable
- Shield ring
- Die-cast threaded ring
- Screw-clamp terminal
- 4-pin
- Cable feedthrough 6 ... 8 mm
- Core cross-section 0.14...0.75 mm²

Contact assignment



Pin Assignment

Technical data

Note

- We reserve the right to make technical alterations without prior notice.
