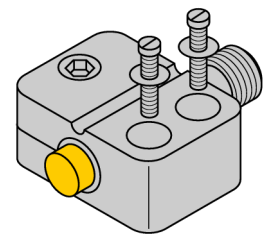
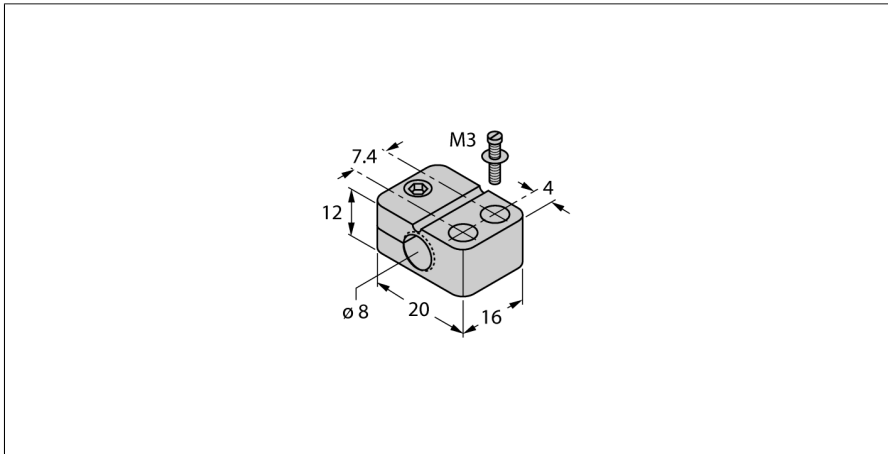


Accessories

Mounting Clamp

BST-08B

- Fixing clamp with dead-stop
- Plastic PA6



Type	BST-08B
ID	6947210
Design	Accessories for threaded barrels, M8
Dimensions	16 x 20 x 12 mm
Housing material	Plastic, PA6