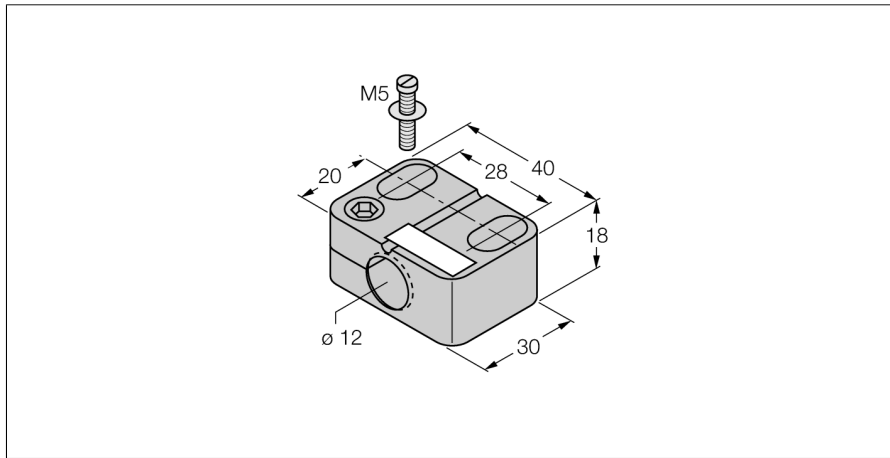
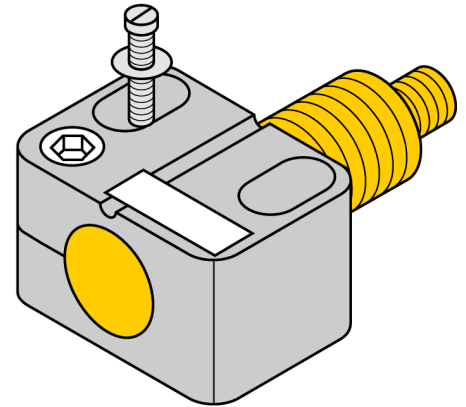


Accessories
Mounting Clamp
BST-12B



- Fixing clamp with dead-stop
- Plastic PA6



| | |
|---------------------------------------|---------------------------------------|
| Type | BST-12B |
| ID | 6947212 |
| Design | Accessories for threaded barrels, M12 |
| Dimensions | 30 x 40 x 18 mm |
| Housing material | Plastic, PA6, Black |
| Max. tightening torque of housing nut | 0.5 Nm |