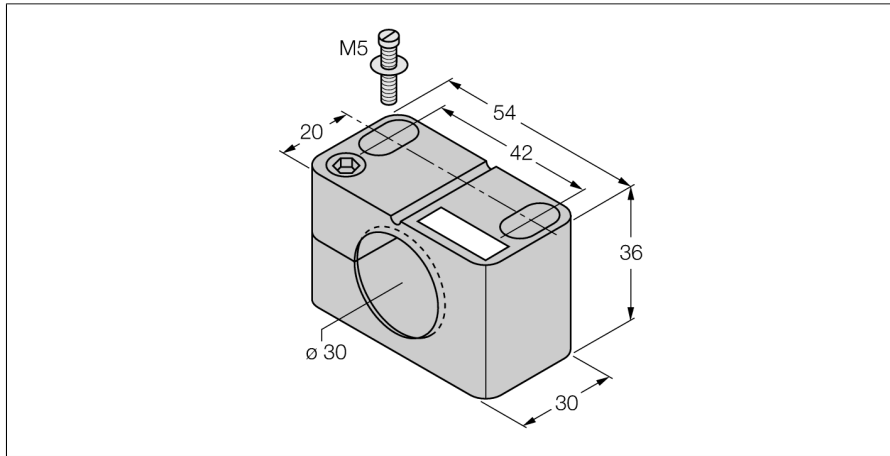


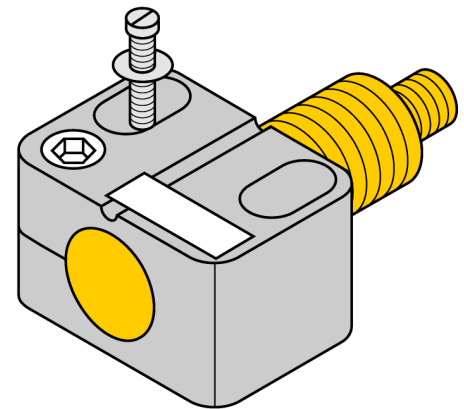
# Mounting Accessories for Inductive Sensors

## Mounting Clip for M30 Design

### BST-30B



- With dead-stop
- Plastic PA6



Type	BST-30B
ID	6947216
Design	Accessories for threaded barrels, M30
Dimensions	30 x 54 x 36 mm
Housing material	Plastic, PA6, Black
Max. tightening torque of housing nut	1 Nm