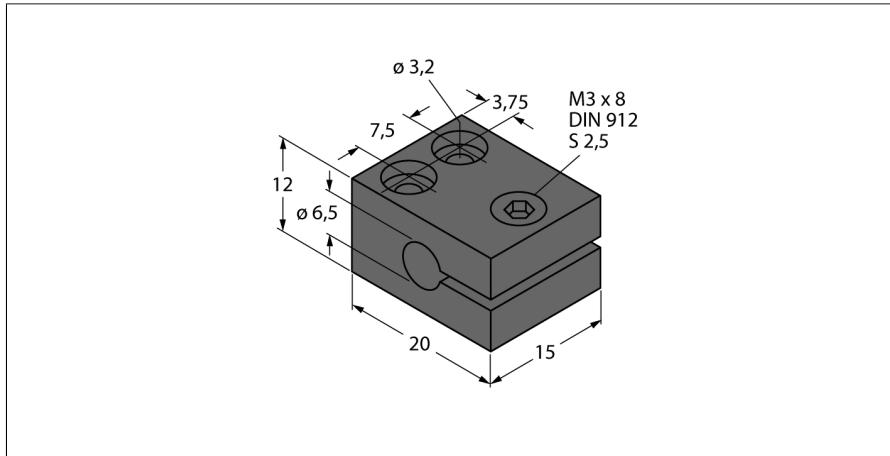


Mounting Accessories for Inductive Sensors

Mounting Clip

MBS65



- For smooth barrel Ø 6.5 mm
- Anodized aluminum

Type	MBS65
ID	69478
Design	Accessories for smooth barrels, 6,5 mm
Dimensions	15 x 20 x 12 mm
Housing material	Metal, AL, Anodized
Tightening torque fixing screw	2.8 Nm
Tightening torque	≤ 3.5 Nm