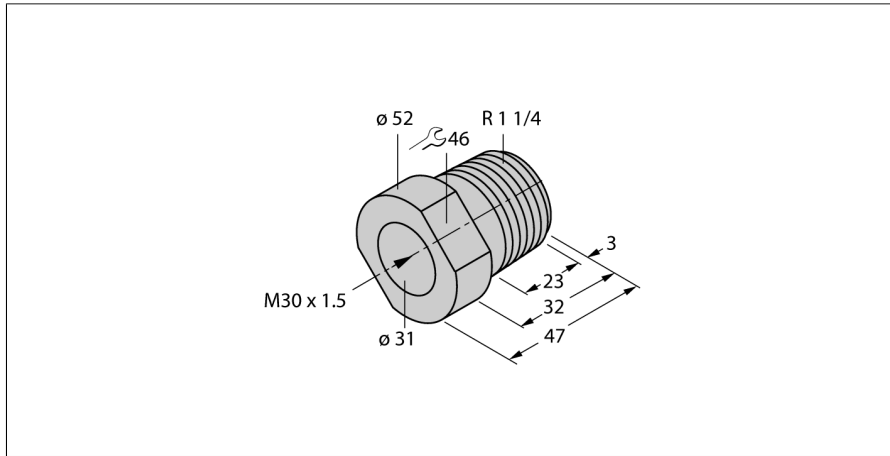


Accessories

Mounting Adapter

MAP-M30



- Mounting adapter
- Plastic: Polypropylene
- Sensor can be removed from a filled container (adapter remains in container during replacement)
- Up to 140 °C for a short period

Type	MAP-M30
ID	6950013
Design	Accessories for threaded barrels, M30
Dimensions	47 mm
Housing material	Plastic, PP
Ambient temperature	-20...+100 °C