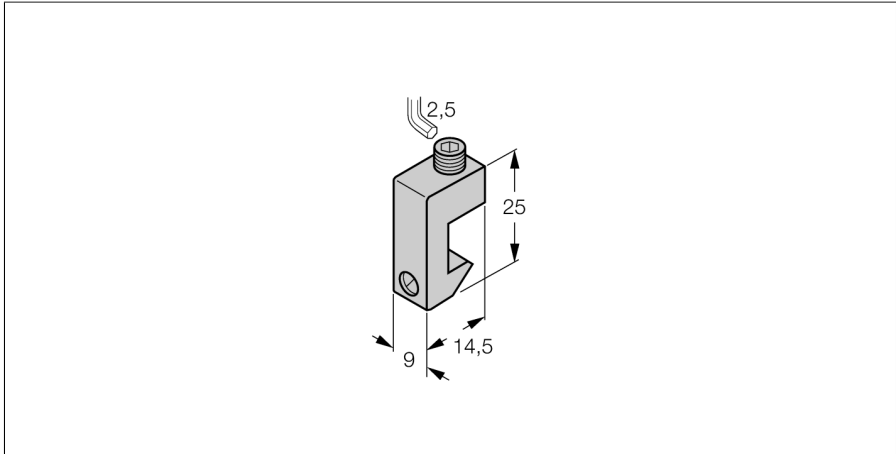


Accessories

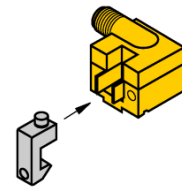
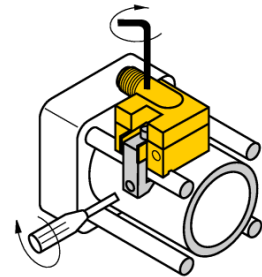
Mounting Bracket

For Tie-Rod Cylinders

KLA1



- Mounting on tie-rod cylinders
- Cylinder diameter: 32...50 mm
- Aluminum



Type	KLA1
ID	69700
Design	Accessories, AKT
Dimensions	20 x 14.5 x 9 mm
Housing material	Metal, AL
Fixing clamp for correspondent cylinder diameter	32...50 mm
clamping width:	4... 8mm