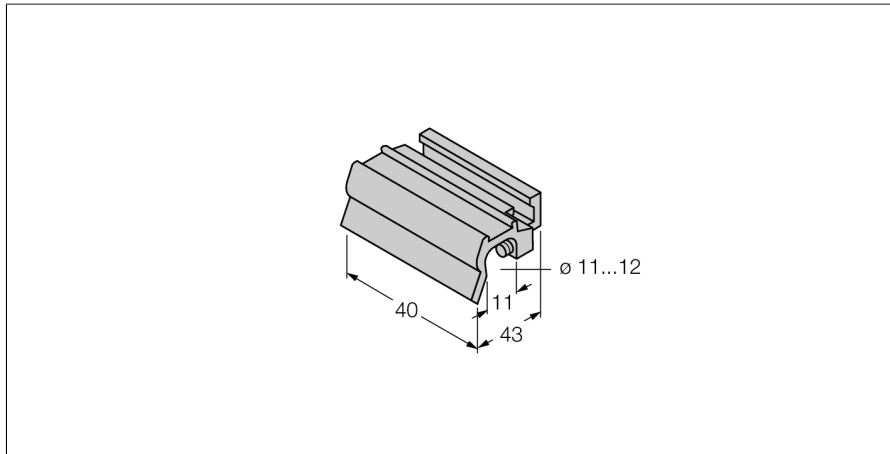


Mounting Accessories

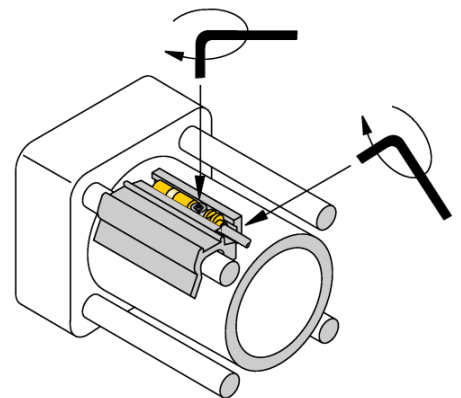
Mounting Bracket

For Tie-rod Cylinders

KLZ3-INT



- Mounting on tie-rod cylinders
- Cylinder diameter: 80...100 mm
- Tie rod diameter: up to 11 mm
- Metal: Aluminum



Type	KLZ3-INT
ID	6970412
Design	Accessories, INT
Dimensions	40 x 43 x 17 mm
Housing material	Metal, AL
Fixing clamp for correspondent cylinder diameter	80...100 mm

