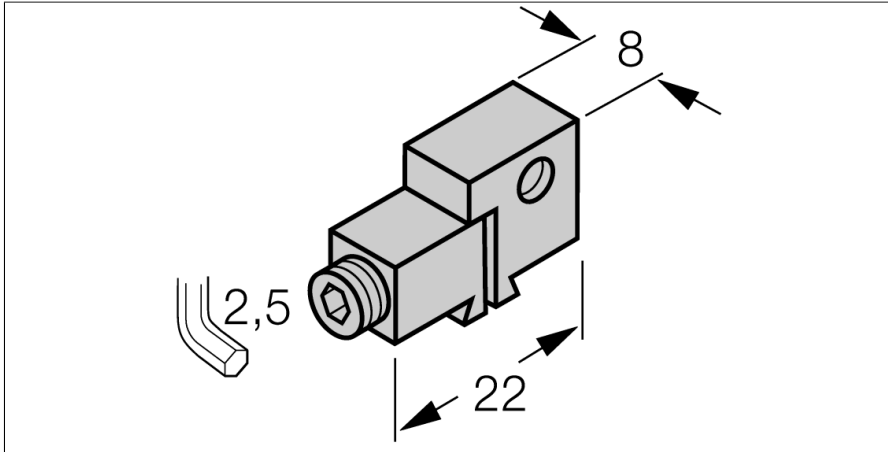


Mounting Accessories for Magnetic Field Sensors

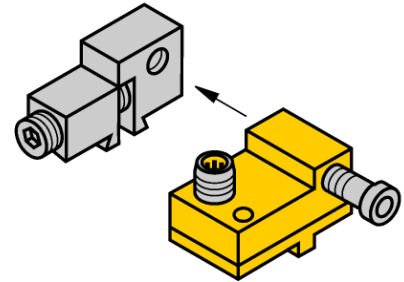
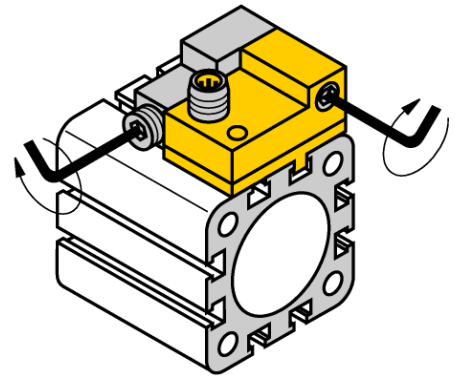
Aluminum Mounting Bracket

For Dovetail Groove Cylinders or T-groove Cylinders

KLN3



- Mounting on dovetail groove cylinders or T-groove cylinders
- For various cylinder diameters
- Metal: Anodized aluminum



Type	KLN3
ID	6970504
Design	Accessories, NST
Dimensions	22 x 8 mm
Housing material	Metal, AL, Anodized
Fixing clamp for correspondent cylinder diameter	alle
Clamping width	5.2... 13.5mm