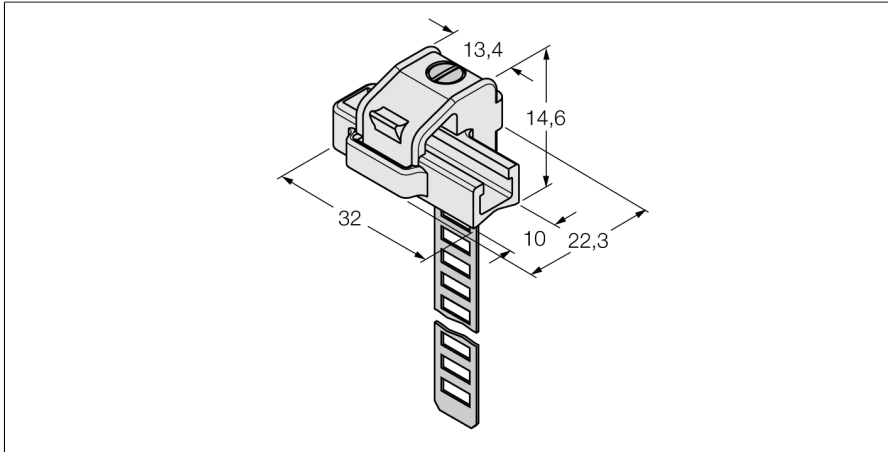


# Accessories

## Mounting Bracket

### For Cylinders, Tie-Rod Cylinders

#### KLRC-UNT2



- Mounting on round cylinders
- Cylinder diameter: 25...63 mm
- Material: PA 6I/6T/Nickel silver
- Fire-hazard classification acc. to UL94 - V2

Type	KLRC-UNT2
ID	6970627
Design	Accessories
Dimensions	32 x 22.3 x 14.6 mm
Housing material	Metal/plastic, PA 6I/6T/Nickel silver
Fixing clamp for correspondent cylinder diameter	25...63 mm