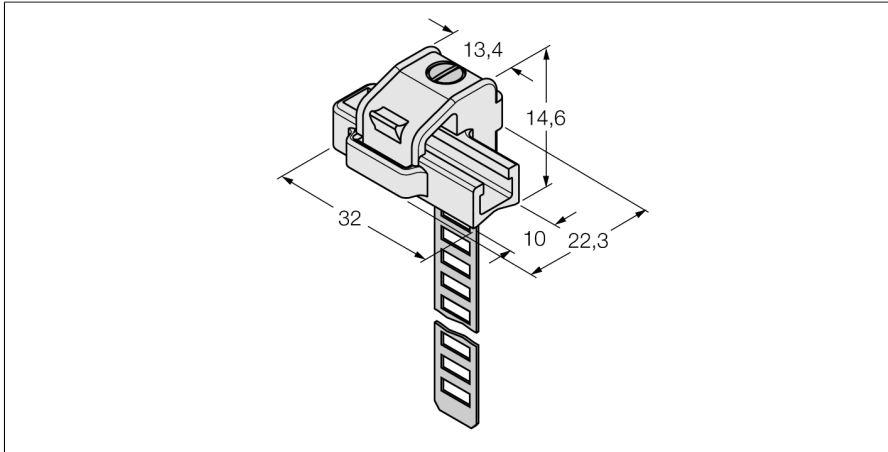


Accessories

Mounting Bracket

For Cylinders, Tie-Rod Cylinders

KLRC-UNT3



- Mounting on round cylinders
- Cylinder diameter: 63...130 mm
- Material: PA 6I/6T/Nickel silver
- Fire-hazard classification acc. to UL94 - V2

Type	KLRC-UNT3
ID	6970628
Design	Accessories
Dimensions	32 x 22.3 x 14.6 mm
Housing material	Metal/plastic, PA 6I/6T/Nickel silver
Fixing clamp for correspondent cylinder diameter	63...130 mm