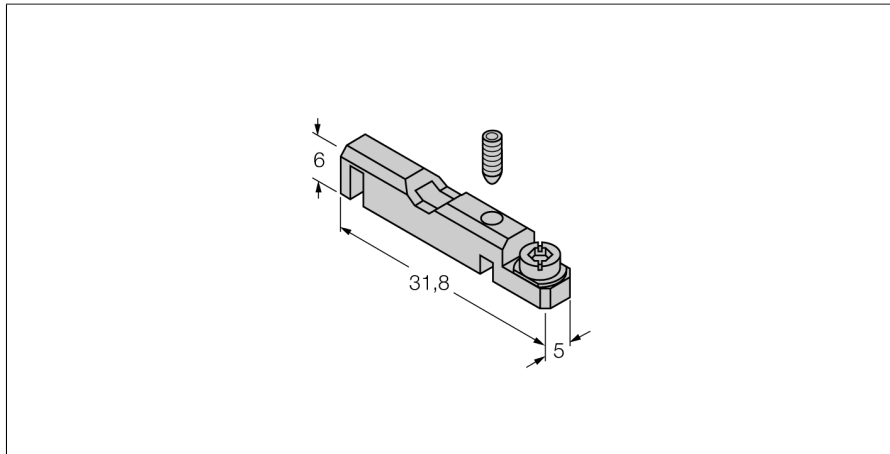


# Mounting Accessories

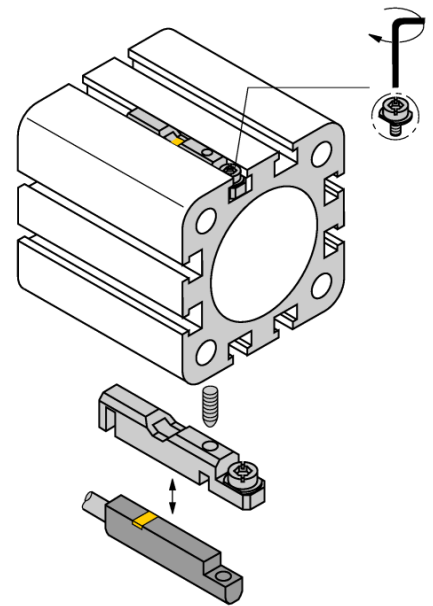
## Mounting Bracket

### For T-groove Cylinders

#### KLT1



- mounting on t-groove cylinders
- Replacement without loss of switchpoint
- T-groove diameter: 5...5.6 mm
- Plastic / metal: Chrome-plated brass



Type	KLT1
ID	6971204
Design	Accessories, INR
Dimensions	31.8 x 5 x 6 mm
Housing material	Metal/plastic, GD-Zn