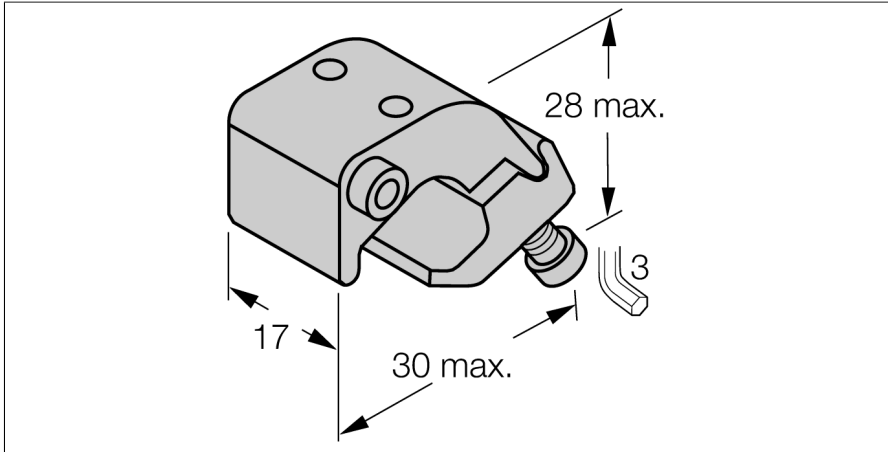


# Accessories

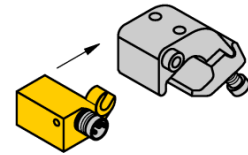
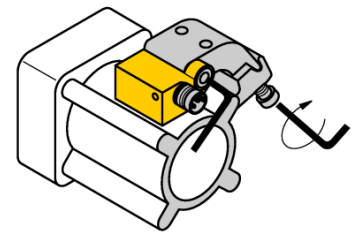
## Mounting Bracket

### For Profile Cylinders

#### KLQ1



- Mounting on profile cylinders
- Cylinder diameter: 32...50 mm
- Material: Aluminum



Type	KLQ1
ID	6971901
Design	Accessories, QST
Dimensions	30 x 28 x 17 mm
Housing material	Metal, AL, Anodized
Fixing clamp for correspondent cylinder diameter	32...50 mm
clamping width:	8... 14mm