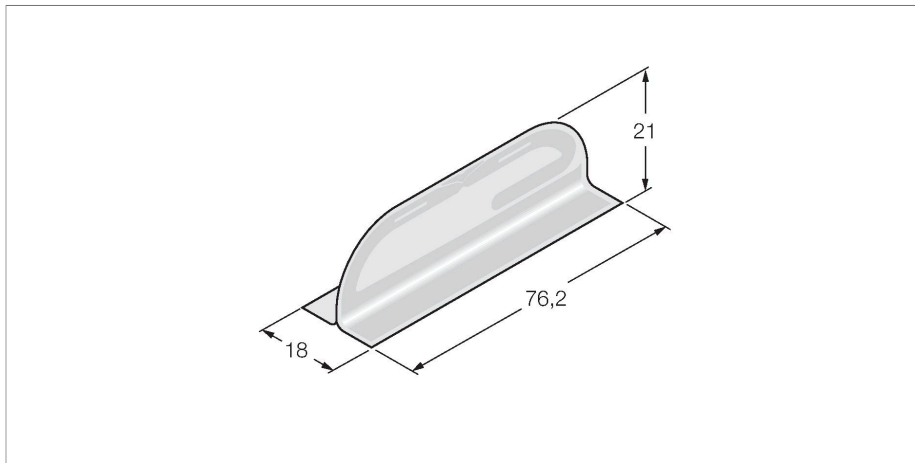


TW865-928-L76-18-21-F-M-B110

UHF Tag



Features

- EEPROM, memory 110 byte
- TID serial number: 4 byte
- For direct mounting on metal

Functional principle

The UHF read/write heads form an air interface the size of which may vary, depending on the combination of read/write head and tag.

The read/write distances mentioned here only represent standard values measured under laboratory conditions and free from any influences caused by materials.

Attainable distances may vary due to component tolerances, mounting conditions, ambient conditions and material qualities, especially when mounted in metal.

Testing of the application under real operating conditions is therefore essential, especially with read/write on-the-fly!

Technical data

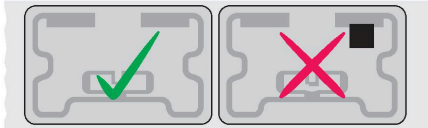
Type	TW865-928-L76-18-21-F-M-B110
ID	7030380
Remark to product	For direct mounting on metal
Data transfer	Alternating electromagnetic field
Technology	UHF RFID
Operating frequency	865...928 MHz
Memory type	EEPROM
Chip	NXP U-Code G2XM
Memory	110 Byte
Memory	Read/Write
Freely usable memory	64 Byte
EPC memory	30 byte
Number of read operations	unlimited
Number of write operations	10 ⁴
Typical read time	2 ms/Byte
Typical write time	3 ms/Byte
Radio communication and protocol standards	ISO 18000-63 EPCglobal Gen 2
Minimum distance to metal	0 mm
Ambient temperature	-35...+85 °C
Storage temperature	-35...+85 °C
Design	Smart Label
Housing material	Plastic, PET
Active area material	Plastic, PET
Protection class	IP67

Technical data

Packaging unit

1

Mounting instructions/Description



General Information

When mounting the tags, only remove them from the roll immediately before affixing them. Remove any dirt from the surfaces to be bonded and allow to dry. Liquids, oils, greases and other substances can reduce the effectiveness of the adhesive. If possible, affix the tag at room temperature (20–25 °C).

Defective tags are indicated by a black dot. Please do not use this tag.

Upon delivery, the number of marked defective tags is added to the total number of Smart Labels delivered.