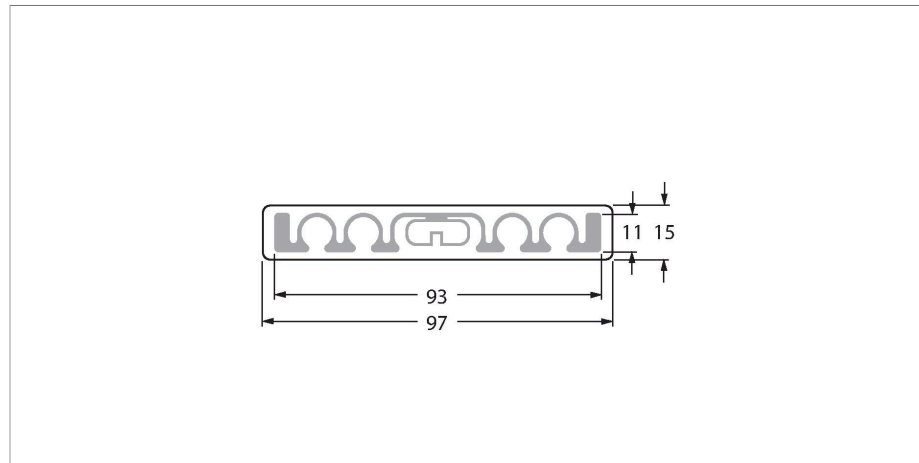


TW860-960-L97-15-F-B44-100PCS

UHF Tag



Features

- EEPROM, memory 44 byte
- TID serial number: 6 byte

Functional principle

The UHF read/write heads form an air interface the size of which may vary, depending on the combination of read/write head and tag.

The read/write distances mentioned here only represent standard values measured under laboratory conditions and free from any influences caused by materials.

Attainable distances may vary due to component tolerances, mounting conditions, ambient conditions and material qualities, especially when mounted in metal.

Testing of the application under real operating conditions is therefore essential, especially with read/write on-the-fly!

Technical data

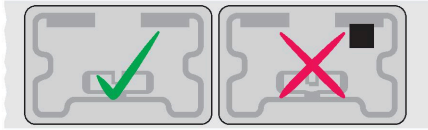
Type	TW860-960-L97-15-F-B44-100PCS
ID	7030524
Data transfer	Alternating electromagnetic field
Technology	UHF RFID
Region (UHF)	Global (860...960 MHz) ETSI (865...868 MHz) FCC (902...928 MHz)
Memory type	EEPROM
Chip	Impinj Monza 4D
Memory	44 Byte
Memory	Read/Write
Freely usable memory	4 Byte
EPC memory	16 byte
Number of read operations	unlimited
Number of write operations	10 ⁵
Typical read time	2 ms/Byte
Typical write time	3 ms/Byte
Radio communication and protocol standards	ISO 18000-63 EPCglobal Gen 2
Ambient temperature	-40...+80 °C
Storage temperature	-40...+85 °C
Design	Smart Label
Housing length	97 mm
Housing width	15 mm

Technical data

Packaging unit

1

Mounting instructions/Description



Defective Smart Labels (data carriers), are indicated by a black dot. Please do not use this data carrier.

Upon delivery, the number of marked defective data carriers is added to the total number of delivered Smart Labels.