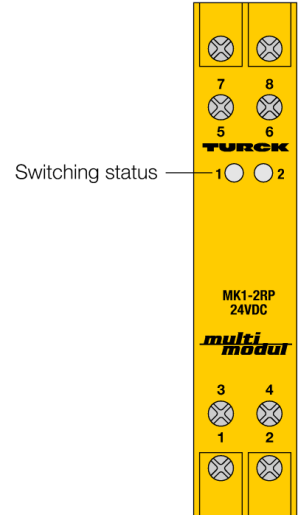
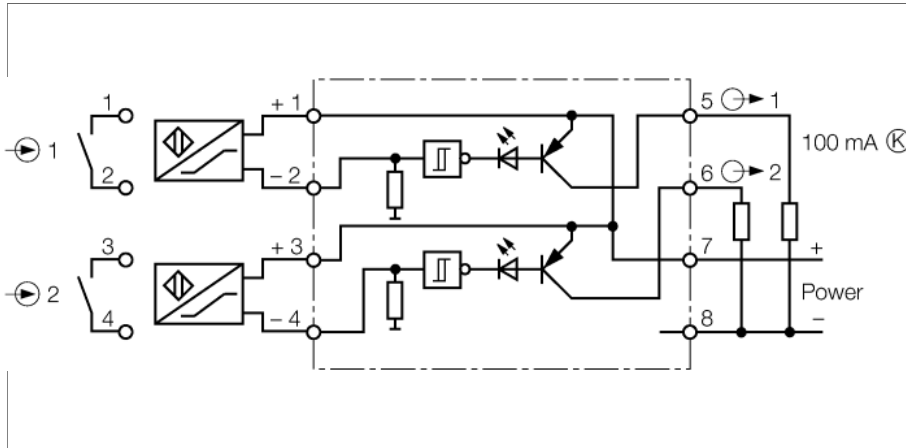


# Isolating switching amplifier 2-channel MK1-2RP/24VDC



The 2-channel isolating switching amplifier MK1-2RP/24VDC is equipped with intrinsically safe input circuits.

Sensors according to EN 60947-5-6 (NAMUR) or potential-free contact makers can be connected to the device.

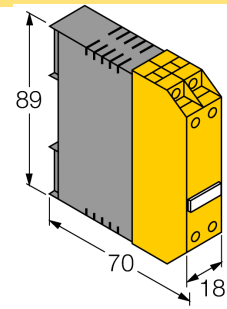
The coupler features PNP switching, short-circuit proof transistor outputs.

The switching state of the coupler is explained in the block diagram below.

The yellow LED indicates the switching status.

- NC mode
- Short-circuit protected PNP transistor outputs
- Complete galvanic isolation
- Input reverse-polarity protected

## Dimensions



ID	7505501
Nominal voltage	24 VDC
Operating voltage $U_s$	19...29 VDC
Power consumption	$\leq 0.5$ W
<b>NAMUR input</b>	
NAMUR	EN 60947-5-6
No-load voltage	8 VDC
Short-circuit current	5 mA
Input resistance	1 k $\Omega$
Cable resistance	$\leq 50$ $\Omega$
Switch-on threshold	1.55 mA
Switch-off threshold	1.75 mA
<b>Output circuits</b>	
Voltage drop	$\leq 2.5$ V
<b>Semiconductor output circuits</b>	
Output circuits (digital)	2 x transistors (pnp, short-circuit proof)
Switching voltage	$\leq 29$ VDC
Switching current per output	$\leq 0.1$ A
Switching frequency	$\leq 1000$ Hz
<b>Galvanic isolation</b>	
<b>Displays/Operating elements</b>	
Switching state	Yellow
<b>Mechanical data</b>	
Protection class	IP20
Ambient temperature	-25...+60 °C
Storage temperature	-40...+80 °C
Dimensions	89 x 18 x 70 mm
Weight	70 g
Mounting instructions	DIN rail (NS35) or panel
Housing material	Plastic, Polycarbonate/ABS
Electrical connection	4 x 2-pin flat terminals with self-lifting pressure plates
Terminal cross-section	1 x 2.5 mm <sup>2</sup> /2 x 1.5 mm <sup>2</sup>