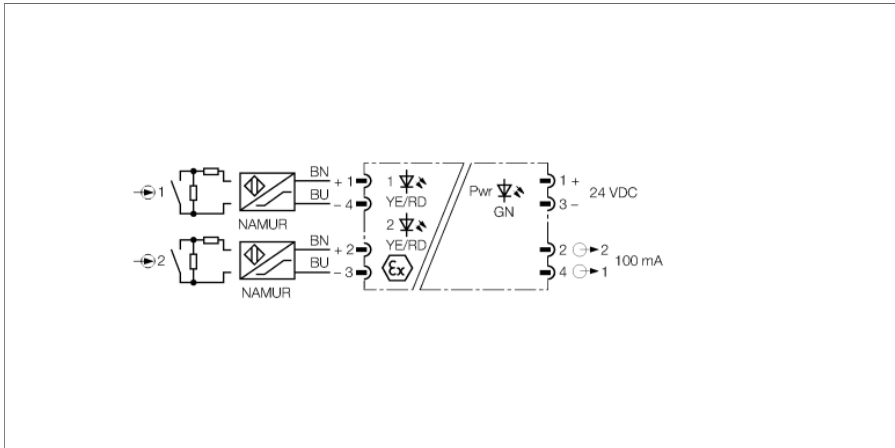


# Isolating switching amplifier 2-channel IMC-DI-22EX-PNO/24VDC

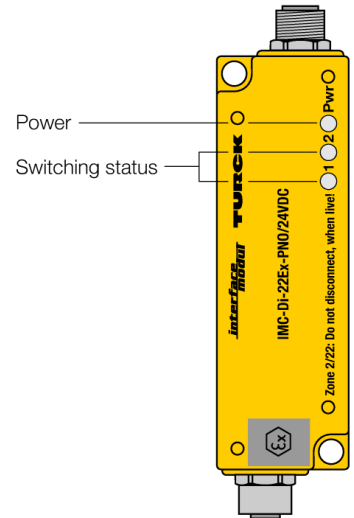


The 2-channel IMC-Di-22Ex-PNO/24VDC isolating switching amplifier is equipped with intrinsically safe input circuits.

Sensors according to EN 60947-5-6 (NAMUR), variable resistors or potential free contacts can be connected to the device.

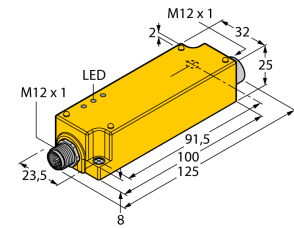
The output circuits feature 2 NO transistors. A green LED indicates operational readiness.

The device must be protected against mechanical load on connector and housing when mounted in zone 2 or 22. For this, use the TURCK cover plate IMC-SG (ident no.7560016).

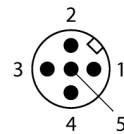


- Isolating switching amplifier, 2-channel
- Line monitoring for wire break / short circuit
- PNP transistor output NO
- Complete galvanic isolation
- Input reverse-polarity protected
- Protection class IP67
- Connection with M12 male connectors
- ATEX, IECEx, cFM<sub>us</sub>, TR CU
- Installation in zone 2/22

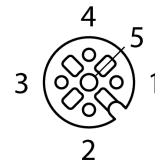
## Dimensions



## Pin assignment male M12

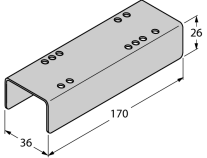


## Pin assignment female M12 (intrinsically safe end)



Type	IMC-DI-22EX-PNO/24VDC
ID	7560003
Nominal voltage	24 VDC
Operating voltage $U_s$	20...30 VDC
<b>NAMUR input</b>	
NAMUR	EN 60947-5-6
No-load voltage	8.2 VDC
Short-circuit current	8.2 mA
Input resistance	1 k $\Omega$
Cable resistance	$\leq 50 \Omega$
Switch-on threshold	1.55 mA
Switch-off threshold	1.75 mA
<b>Output circuits</b>	
Voltage drop	$\leq 2.5 V$
<b>Semiconductor output circuits</b>	
Output circuits (digital)	2 x transistors (pnp, short-circuit proof)
Switching voltage	$\leq 30 VDC$
Switching current per output	$\leq 0.1 A$
Switching frequency	$\leq 3000 Hz$
<b>Galvanic isolation</b>	
Test voltage	2.5 kV RMS
<b>Important note</b>	
	For Ex-applications the values specified in the corresponding Ex certificates (ATEX, IECEx, UL, etc.) apply.
Ex approval acc. to conformity certificate	TÜV17 ATEX195767X
Application area	II (1) GD
Ignition protection category	[Ex ia] IIC/IIB
Ignition protection type	II 3 (1) Ex ec [ia Ga] IIC T4 Gc / Ex tc [ia Da] IIIB T96 °C Dc
Approval	SIL 2 acc. to EXIDA FMEDA
<b>Displays/Operating elements</b>	
Operational readiness	Green
Switching state	Yellow
Error indication	red
<b>Mechanical data</b>	
Protection class	IP67
Ambient temperature	-25...+70 °C
Storage temperature	-40...+80 °C
Dimensions	100 x 32 x 25 mm
Weight	166 g
Mounting instructions	panel
Housing material	Plastic, Polycarbonate/ABS
Electrical connection	M12 receptacle
Tightening torque	3.5 Nm

## Accessories

Type code	Ident-No.		Dimension drawing
IMC-SG	7560016	Metal cover plate for IMC modules (required for application in zones 2/22)	
SC-M12/3GD	6900390	Captive safety clip for sensors with M12 x 1 connectors and approval acc. to ATEX II 3 G or II 3 D.	