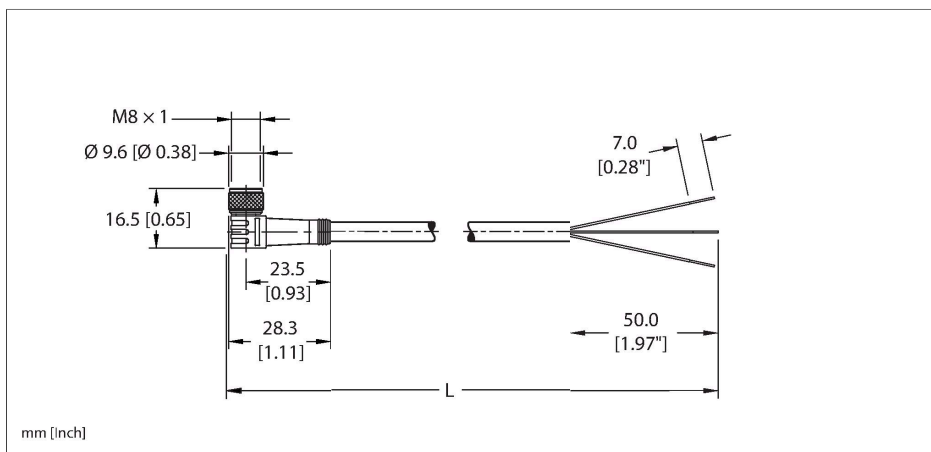


# PKW 3M-x/S90

## Actuator and Sensor Cordset – Connection Cable

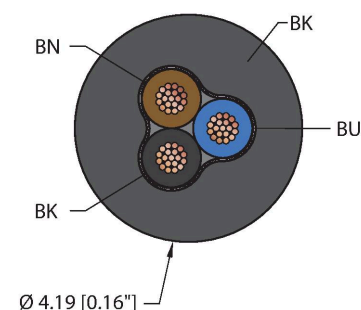


### Features



- M8, Female, Right-angle, 3-pin
- Threaded Connector
- General Purpose Cable
- TPU jacket, Black, 3X24 AWG
- -40 Cold Bend Rating
- Flame Ratings: UL1061, CSA FT1
- Flexlife® and C-Track Approved

### Cable cross section

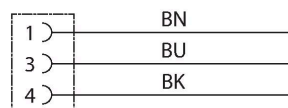


### Contact assignment

Connector A



### Circuit Diagram



### Technical data

|                                 |   |
|---------------------------------|---|
| Type                            | PKW 3M-x/S90  |
| ID no.                          | 777000273   |
| Connector A                     | Female, M8 × 1, Right angle                               |
| Design specification            | Acc. to IEC 61076-2-104                                   |
| Number of Pins                  | 3   |
| Contacts                        | Brass, CuZn, Gold-plated                                  |
| Contact carriers                | Plastic, Nylon or TPU, Black                              |
| Connector body                  | Plastic, TPU, Yellow                                      |
| Coupling nut                    | Brass, CuZn, Nickel-plated                                |
| Connector seal                  | O-ring, Plastic, FKM/FPM                                  |
| Tightening torque (range)       | 0.4 ... 0.8 Nm<br>(note max. torque of mating connector!) |
| Mechanical life                 | > 100 Mating cycles                                       |
| Pollution degree                | 3   |
| Protection class (When coupled) | IP67, IP68  |
|                                 | NEMA: 1, 3, 4, 6P   |
| <b>Cable data</b>               |   |
| Cable ID                        | RF50587   |
| Total number of conductors      | 3   |
| Cable diameter                  | Ø 4.19 mm   |
| Cable jacket                    | TPU, Black  |
| Conductor diameter              | 0.044 "   |
| Conductor material              | TC (tinned copper)  |
| Conductor insulation material   | PVC   |
| Conductor size                  | 3 x 24 AWG [Similar to 0.25 mm <sup>2</sup> ]             |

## Technical data

|   |  |
|---|--|
| Number of strands x O.D.                  | 19 x 36 AWG  |
| Conductor colors                          | BN, BU, BK   |
| <b>Electrical properties at +20 °C</b>    |  |
| Rated voltage                             | 125 VAC/DC   |
| Current                                   | 4 A  |
| <b>Mechanical and chemical properties</b> |  |
| Bending radius (static)                   | ≥ 5 x Ø  |
| Bending radius (dynamic)                  | ≥ 10 x Ø   |
| Cold bend rating                          | -40 °C   |
| Flex rating 20 x Ø                        | 10 million cycles*   |
|   | *When properly installed @ 20°C, 50%RH, and a cycle speed of ≤0.5 cycles per second.   |
| C-Track                                   | Yes  |
| Ambient temperature range (static)        | -40 °C...+90 °C  |
| Ambient temperature range (dynamic)       | -40 °C...+90 °C  |
| Temperature range (installation)          | -20 °C...+90 °C  |
| <b>Approval</b>                           |  |
| Approvals                                 | UL Listed<br>CSA<br>CE<br>RoHS   |
| <b>Note</b>                               |  |
|   | - Flex ratings may be reduced if used in extreme temperatures, exposure to certain chemicals, operating above the rated cycle speed, or operating below the rated cable bend radius. |
|   | - We reserve the right to make technical alterations without prior notice.   |