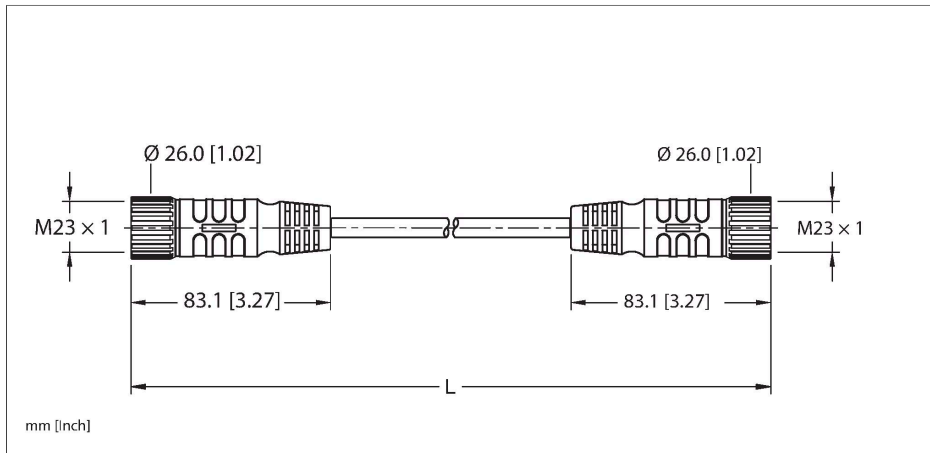


CSM CKM 19-19-*

Actuator and Sensor Cable – Extension Cable



Technical data

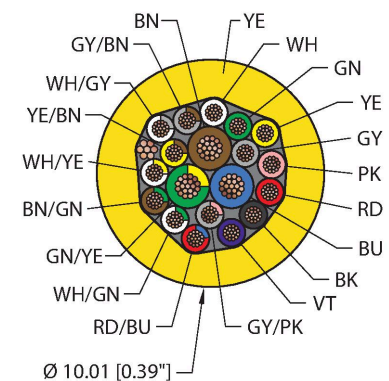
Type	CSM CKM 19-19-*
ID	777000407
Connector A	Male, M23 × 1, Straight
Number of contacts	19
Contacts	Brass, CuZn, Gold-plated
Contact carriers	Plastic, Nylon or PBT, Gray
Connector body	Plastic, TPU, Black
Coupling nut	Brass, CuZn, Nickel-plated
Connector seal	O-ring, Plastic, FKM/FPM
Tightening torque	1 Nm
Mechanical life	> 100 Mating cycles
Pollution degree	3
Protection class (When coupled)	IP67
Connector B	Female, M23 × 1, Straight
Number of contacts	19
Contacts	Brass, CuZn, Gold-plated
Contact carriers	Plastic, Nylon or PBT, Yellow
Connector body	Plastic, TPU, Black
Coupling nut	Brass, CuZn, Nickel-plated
Protection class (When coupled)	IP67
Cable data	
Cable ID	RF50620
Total number of conductors	19
Cable diameter	Ø 10.01 mm

Features



- M23, Male, Straight, 19-pin
- M23 Female, Straight, 19-pin
- Instrumentation Tray Cable
- Yellow PVC jacket, shielded, 3X18+16X22 AWG
- Sunlight Resistant
- -40 Cold Bend Rating
- Oil Resistant
- Flame Ratings: UL 1685 FT4, UL1061, CSA FT4

Cable cross section



Contact assignment

CSM CKM 19-19-* | 12/02/2025 22-53 | technical changes reserved

Technical data

Cable jacket	PVC, Yellow
Shielding	Aluminum/polyester (IN), 20 AWG, TC (Tinned Copper)
Conductor diameter	0.076 "
Conductor material	TC (tinned copper)
Conductor insulation material	PVC
Conductor size	3 x 18 AWG [Similar to 0.75 mm ²]
Number of strands x O.D.	19 x 0.0092 "
Conductor diameter	0.048
Conductor insulation material	SR-PVC
Conductor size	16x 22 AWG [Similar to 0.34 mm ²]
Number of strands x O.D. (2)	19 x 0.0058 mm
Conductor colors	VT, RD, GY, RD/BU, BU, GN, BN, WH/ GN, WH/YE, WH/GY, BK, GN/YE, YE/ BN, BN/GN, WH, YE, PK, GY/BN, GY/PK

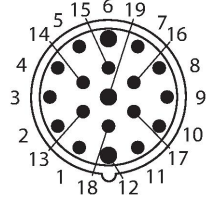
Electrical properties at +20 °C	
Rated voltage	150 VAC/DC
Current	9 A (Contacts 6,12,19) / 2 A (All other contacts)

Mechanical and chemical properties	
Bending radius (static)	≥ 5 x Ø
Bending radius (dynamic)	≥ 15 x Ø
UL cold bend rating	-40 °C
Ambient temperature range (static)	-40...+105 °C
Ambient temperature range (dynamic)	5...+105 °C
Temperature range (installation)	-10...+105 °C

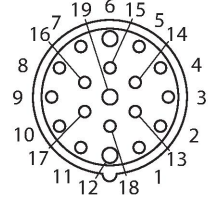
Approval	
Approvals	UL 2238 UL Listed CE RoHS

Note	
	- Flex ratings may be reduced if used in extreme temperatures, exposure to certain chemicals, operating above the rated cycle speed, or operating below the rated cable bend radius.
	- We reserve the right to make technical alterations without prior notice.

Connector A



Connector B



Circuit Diagram

