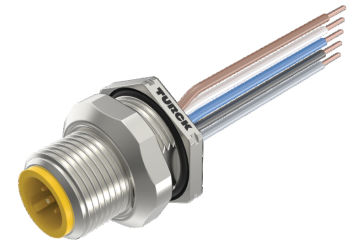
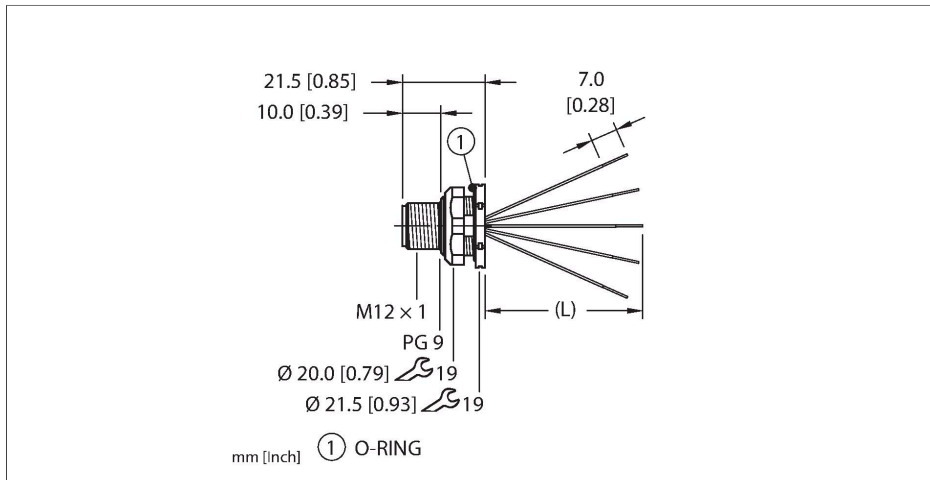


# FSFD 4.5-x Actuator and Sensor Receptacle – Rear Mount



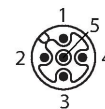
## Features



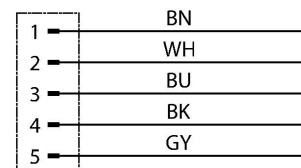
- M12, Male, Receptacle, 5-pin
- Mounting thread: PG9

## Contact assignment

Connector A



## Circuit Diagram



## Technical data

Type	FSFD 4.5-x
ID	777000766
Connector A	Male, M12 x 1, A-code
Design specification	Acc. to IEC 61076-2-101
Number of contacts	5
Contacts	Brass, CuZn, Gold-plated
Contact carriers	Plastic, Nylon or TPU, Yellow
Housing material/finish	Brass, CuZn, Nickel-plated
Tightening torque (range)	0.4 ... 1.8 Nm (note max. torque of mating connector!)
Mounting orientation	Rear mount
Panel seal	O-ring, Plastic, NBR
Mounting thread	PG9
Locknut	Brass, CuZn, Nickel-plated
Receptacle mounting torque	2.5...6.8 Nm
Mechanical life	> 100 Mating cycles
Pollution degree	3
Protection class (When coupled)	IP68
	NEMA: 1, 3, 4, 6P
Total number of conductors	5
Conductor material	TC (tinned copper)
Conductor insulation material	PVC
Conductor size	22 AWG [Similar to 0.34 mm <sup>2</sup> ]
Conductor colors	BN, WH, BU, BK, GY

## Technical data

### Electrical properties at +20 °C

Rated voltage 250 V

Current 4 A

### Mechanical and chemical properties

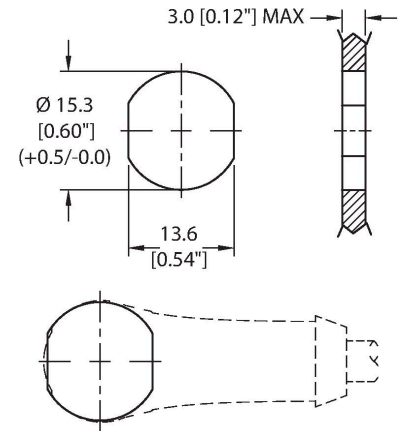
Ambient temperature range (static) -40...+105 °C

Approvals  
 UL 2238  
 CSA C22.2 No. 182.3  
 CE  
 UKCA  
 RoHS

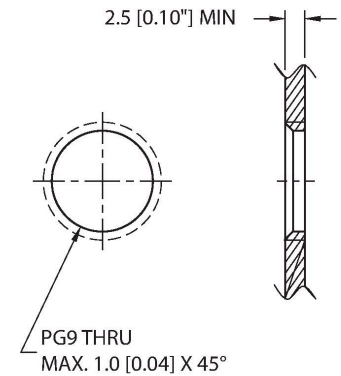
### Note

- We reserve the right to make technical alterations without prior notice.

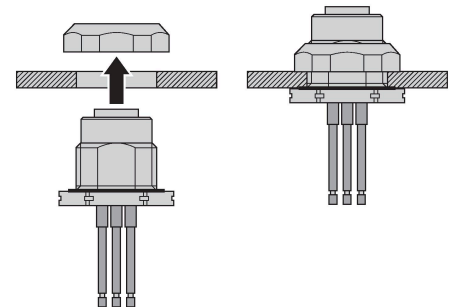
## Mounting hole - Through



## Mounting hole - Threaded



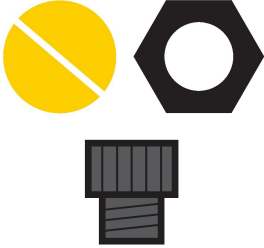
## Rear-mounted



Accessories

**FK(S)FD-TOOL**

**A2550**



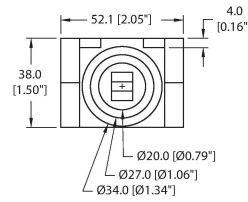
Tool, knockout hole punch, receptacle-mounting hole. Accommodates PG9 threads.

**DECAL,9-CLRS,RECEPT+BOXES,EURO(QTY1)**

**100008955**



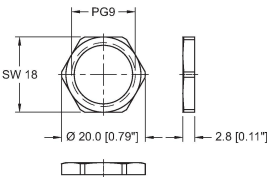
1 decal sticker containing 9 different color sets of 11 decals to color code a sensor, junction block port, cable end, or receptacle. 5ct 4x9mm rectangles, 4ct 8x19mm rectangles, 1ct 27mm ID ring, 1ct 20mm ID ring.



Accessories

**LOCKNUT-PG9-BRASS-(10/BAG)**

**100016624**



Locknut, PG9, Brass, Nickel-plated, 10 per bag