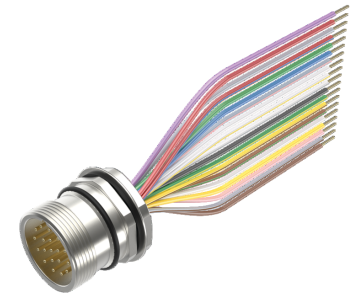
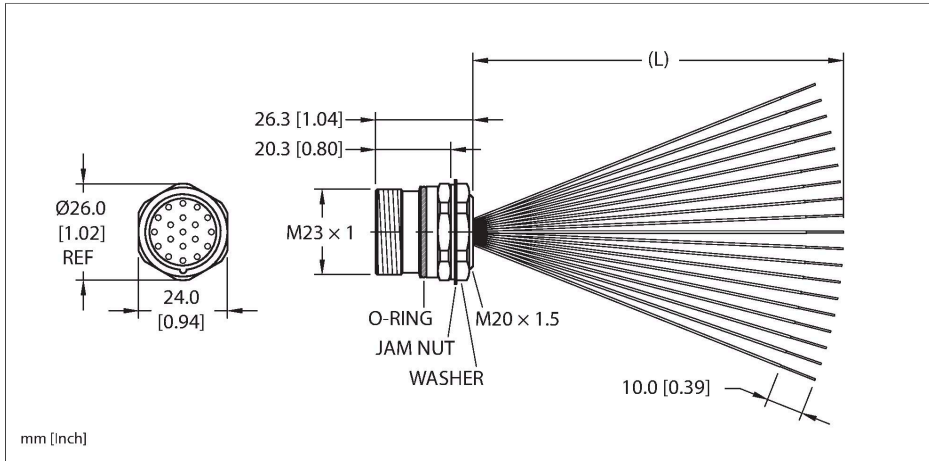


CSF 19-19-*

Actuator and Sensor Receptacle – Front Mount



Technical data

Type	CSF 19-19-*
ID	777000775
Connector A	Male, M23 × 1
Number of contacts	19
Contacts	Brass, CuZn, Gold-plated
Contact carriers	Plastic, Nylon or PBT, Gray
Connector seal	O-ring, Plastic, FKM/FPM
Housing material/finish	Brass, CuZn, Nickel-plated
Tightening torque	2.5 Nm
Mounting orientation	Front mount
Panel seal	Gasket, Plastic, NBR
Mounting thread	M20 × 1.5
Locknut	Brass, CuZn, Nickel-plated
Receptacle mounting torque	6.8...27.1 Nm
Mechanical life	> 100 Mating cycles
Pollution degree	3
Protection class (When coupled)	IP67
Total number of conductors	19
Conductor material	TC (tinned copper)
Conductor insulation material	PVC
Conductor size	3 x 18 AWG [Similar to 0.75 mm ²]
Conductor size	16x 22 AWG [Similar to 0.34 mm ²]
Conductor colors	VT, RD, GY, RD/BU, BU, GN, BN, WH/ GN, WH/YE, WH/GY, BK, GN/YE, YE/ BN, BN/GN, WH, YE, PK, GY/BN, GY/PK

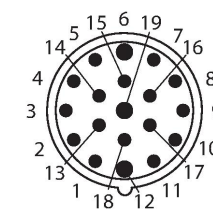
Features



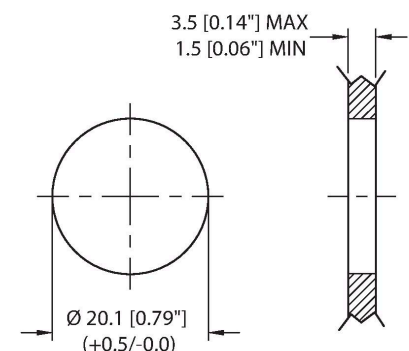
- M23 multifast, Male, Receptacle, 19-pin
- Mounting thread: M20 × 1.5

Contact assignment

Connector A



Mounting hole - Through



CSF 19-19-* | 12/08/2025 19-51 | technical changes reserved

Technical data

Electrical properties at +20 °C

Rated voltage	150 V
Current	9 A (Contacts 6,12,19) / 2 A (All other contacts)

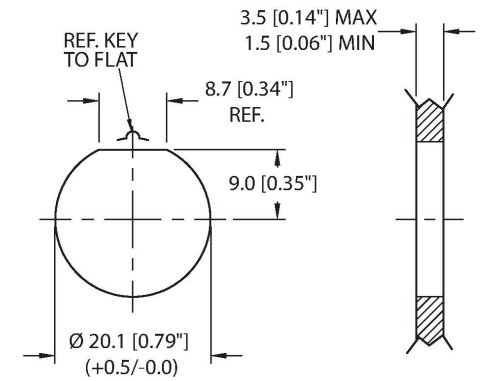
Mechanical and chemical properties

Ambient temperature range (static)	-40...+105 °C
Approvals	UL 2238 CSA C22.2 No. 182.3 CE RoHS

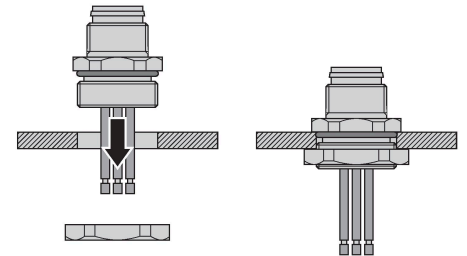
Note

- We reserve the right to make technical alterations without prior notice.

Mounting hole - Through keyed



Front panel mounting



Diagram

1	VT
2	RD
3	GY
4	RD/BU
5	GN
6	BU
7	GY/PK
8	WH/GN
9	WH/YE
10	WH/GY
11	BK
12	GN/YE
13	YE/BN
14	BN/GN
15	WH
16	YE
17	PK
18	GY/BN
19	BN