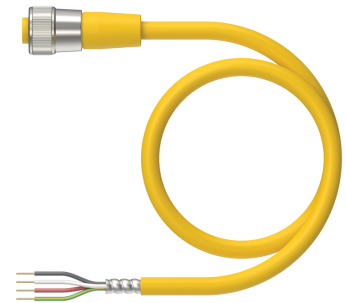
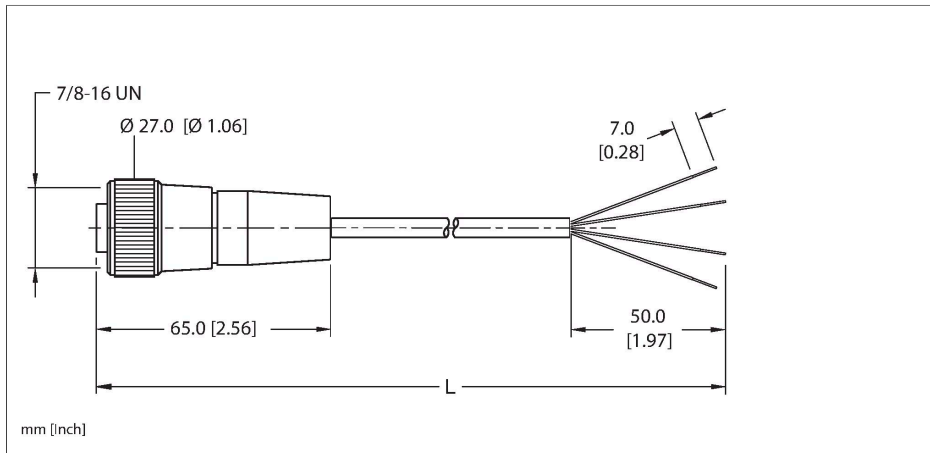


RKM 48A-xM

Actuator and Sensor Cable – Connection Cable



Technische Daten

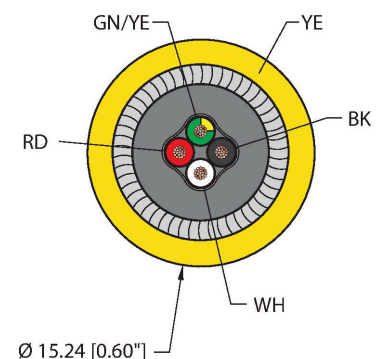
Type	RKM 48A-xM
ID	777001694
Connector A	Female, 7/8"-16 UN, Straight
Number of contacts	4
Contacts	Brass, CuZn, Gold-plated
Contact carriers	Plastic, TPU, Yellow
Connector body	Plastic, TPU, Yellow
Coupling nut	Brass, CuZn, Nickel-plated
Tightening torque	2 Nm
Mechanical life	> 100 Mating cycles
Pollution degree	3
Protection class (When coupled)	IP67, IP68, IP69, IP69K NEMA: 1, 3, 4, 6P, 12
Cable data	
Cable ID	RF51041
Total number of conductors	4
Cable diameter	Ø 15.24 mm
Cable jacket	PVC, Yellow
Armor	IAA
Conductor diameter	0.086 "
Conductor material	TC (tinned copper)
Conductor insulation material	PVC/Nylon (Nylon overcoat)
Conductor size	4 x 18 AWG [Similar to 0.75 mm ²]
Number of strands x O.D.	19 x 0.0092 "

Features



- 7/8" Female, Straight, 4-pin
- Interlocked Aluminum Armor
- Armorfast™ Instrumentation Cable
- Yellow PVC jacket, cable armor: IAA, 4X18 AWG
- Sunlight Resistant
- -40 Cold Bend Rating
- Oil Resistant
- Flame Ratings: UL 1685 FT4, CSA FT1, CSA FT4, IEC 60332-3-22

Cable cross section

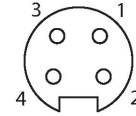


Contact assignment

Technische Daten

Conductor colors	BK, WH, RD, GN/YE
Electrical properties at +20 °C	
Rated voltage	300 V
Current	9 A
Mechanical and chemical properties	
Bending radius (static)	≥ 14 x Ø
UL cold bend rating	-40 °C
	(Armor diameter)
Ambient temperature range (static)	-40...+105 °C
Ambient temperature range (dynamic)	5...+105 °C
Temperature range (installation)	-10...+105 °C
Approval	
Approvals	UL 2238 CSA C22.2 No. 182.3 CE UKCA RoHS
Note	
	- Flex ratings may be reduced if used in extreme temperatures, exposure to certain chemicals, operating above the rated cycle speed, or operating below the rated cable bend radius.
	- We reserve the right to make technical alterations without prior notice.

Connector A



Circuit Diagram

