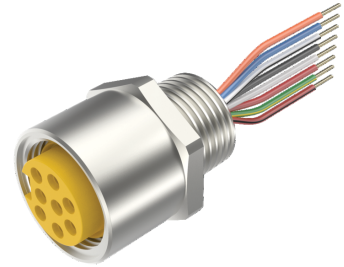
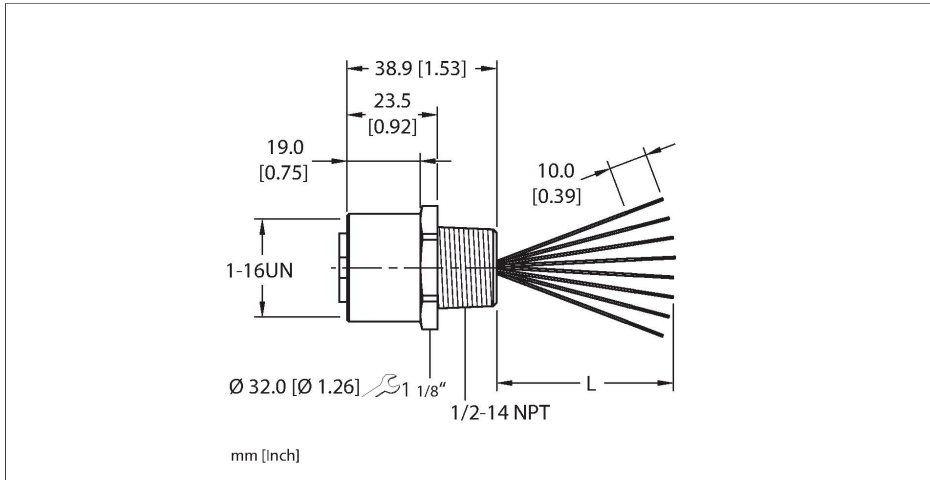


RKF 86-xM/14.5/NPT

Actuator and Sensor Receptacle – Front Mount



Technische Daten

Type	RKF 86-xM/14.5/NPT
ID	777002146
Connector A	Female, 1"-16 UN
Number of contacts	8
Contacts	Brass, CuZn, Gold-plated
Contact carriers	Plastic, TPU, Yellow
Housing material/finish	Brass, CuZn, Nickel-plated
Tightening torque (range)	0.8 ... 2 Nm (note max. torque of mating connector!)
Mounting orientation	Front mount
Mounting thread	1/2"-14 NPT
Receptacle mounting torque	3.5...10.2 Nm
Mechanical life	> 100 Mating cycles
Pollution degree	3
Protection class (When coupled)	IP67, IP68, IP69, IP69K NEMA: 1, 3, 4, 6P, 12
Total number of conductors	8
Conductor material	TC (tinned copper)
Conductor insulation material	PVC
Conductor size	16 AWG [Similar to 1.50 mm ²]
Conductor colors	OG, BU, WH/BK, BK, WH, RD, GN/YE, RD/BK
Electrical properties at +20 °C	
Rated voltage	600 V

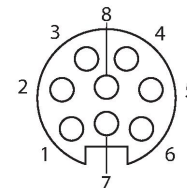
Features



- 1" minifast, Female, Receptacle, 8 pin
- Mounting thread: 1/2"-14 NPT

Contact assignment

Connector A



Circuit Diagram



Technische Daten

Current 8 A

Mechanical and chemical properties

Ambient temperature range (static) -30...+105 °C

Approvals
UL 2238
CE
RoHS

Note

- We reserve the right to make technical alterations without prior notice.

Front panel mounting

