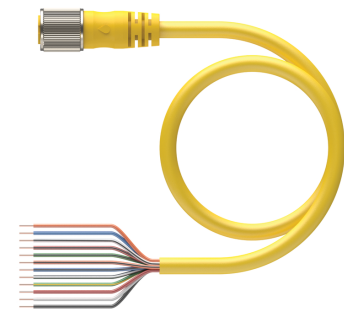
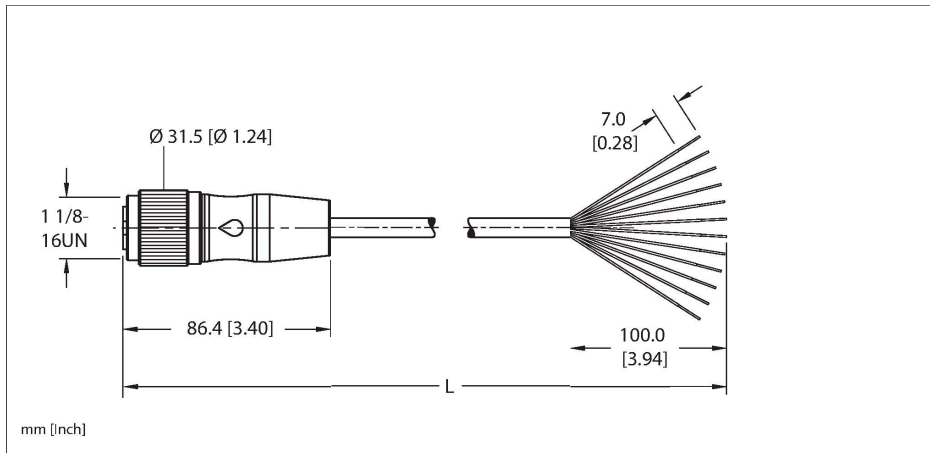


RKM 126-xM

Actuator and Sensor Cordset – Connection Cable



Technical data

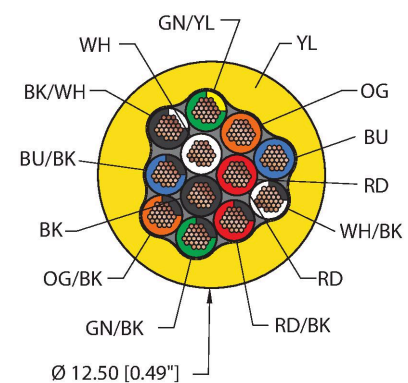
Type	RKM 126-xM
ID	777002206
Connector A	Female, 1 1/8"-16 UN, Straight
Number of contacts	12
Contacts	Brass, CuZn, Gold-plated
Contact carriers	Plastic, TPU, Yellow
Connector body	Plastic, TPU, Yellow
Coupling nut	Brass, CuZn, Nickel-plated
Protection class (When coupled)	IP67, IP68, IP69, IP69K
	NEMA: 1, 3, 4, 6P, 12
Cable data	
Cable ID	RF51035
Total number of conductors	12
Cable diameter	Ø 12.5 mm
Cable jacket	PVC, Yellow
Conductor diameter	0.088 "
Conductor material	TC (tinned copper)
Conductor insulation material	PVC
Conductor size	12 x 16 AWG [Similar to 1.50 mm ²]
Number of strands x O.D.	19 x 0.0117 "
Conductor colors	OG, BU, WH/BK, RD/BK, GN/BK, OG/BK, BU/BK, BK/WH, GN/YE, RD, WH, BK
Electrical properties at +20 °C	
Rated voltage	600 V

Features



- 1-1/8" Female, Straight, 12-pin
- Instrumentation Tray Cable
- Yellow PVC jacket, 12X16 AWG
- Sunlight Resistant
- -40 Cold Bend Rating
- Oil Resistant
- Flame Ratings: UL 1685 FT4, UL1061, CSA FT4

Cable cross section

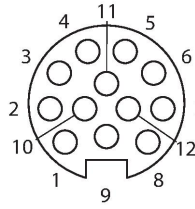


Contact assignment

Technical data

Current	7 A
Mechanical and chemical properties	
Bending radius (static)	≥ 5 x Ø
Bending radius (dynamic)	≥ 10 x Ø
UL cold bend rating	-40 °C
Ambient temperature range (static)	-40 °C...+105 °C
Ambient temperature range (dynamic)	5 °C...+105 °C
Temperature range (installation)	-10 °C...+105 °C
Approval	
Approvals	CE RoHS UL Listed UL 2238
Note	
	- Flex ratings may be reduced if used in extreme temperatures, exposure to certain chemicals, operating above the rated cycle speed, or operating below the rated cable bend radius.
	- We reserve the right to make technical alterations without prior notice.

Connector A



Circuit Diagram

