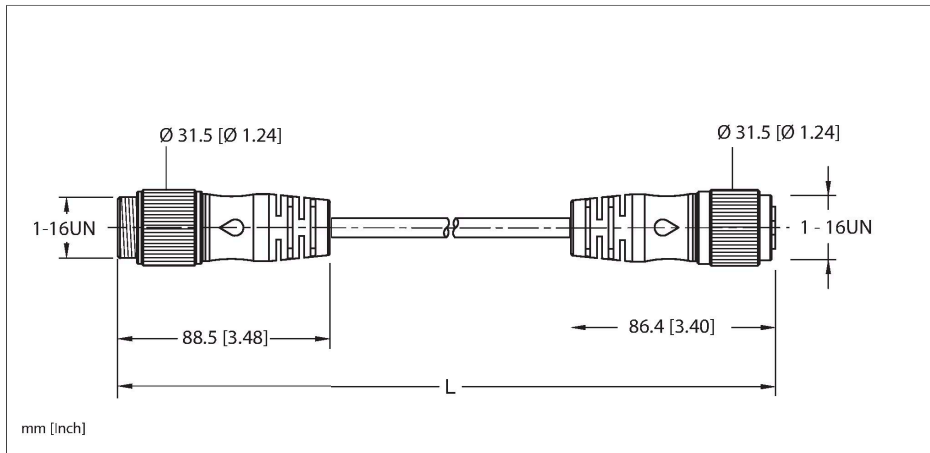


RSM RKM 76-xM

Actuator and Sensor Cable – Extension Cable

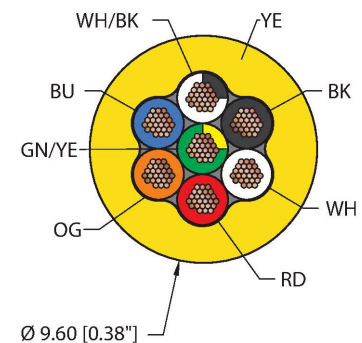


Features

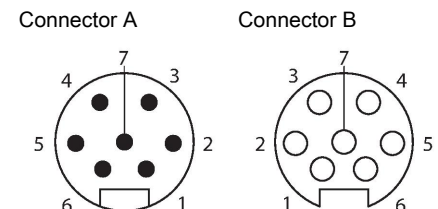


- 1" Male, Straight, 7-pin
- 1-1/8" Female, Straight, 7-pin
- Instrumentation Tray Cable
- Yellow PVC jacket, 7X16 AWG
- Sunlight Resistant
- -40 Cold Bend Rating
- Oil Resistant
- Flame Ratings: UL 1685 FT4, UL1061, CSA FT4

Cable cross section



Contact assignment

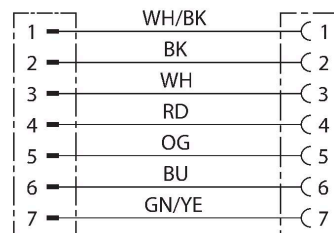


Technische Daten

Type	RSM RKM 76-xM
ID	777002322
Connector A	Male, 1"-16 UN, Straight
Number of contacts	7
Contacts	Brass, CuZn, Gold-plated
Contact carriers	Plastic, TPU, Yellow
Connector body	Plastic, TPU, Yellow
Coupling nut	Brass, CuZn, Nickel-plated
Mechanical life	> 100 Mating cycles
Protection class (When coupled)	IP67, IP68, IP69, IP69K
	NEMA: 1, 3, 4, 6P, 12
Connector B	Female, 1"-16 UN, Straight
Number of contacts	7
Contacts	Brass, CuZn, Gold-plated
Contact carriers	Plastic, TPU, Yellow
Connector body	Plastic, TPU, Yellow
Coupling nut	Brass, CuZn, Nickel-plated
Tightening torque	2 Nm
Protection class (When coupled)	IP67, IP68, IP69, IP69K
	NEMA: 1, 3, 4, 6P, 12
Cable data	
Cable ID	RF51031
Total number of conductors	7
Cable diameter	Ø 9.6 mm

Technische Daten

Cable jacket	PVC, Yellow
Conductor diameter	0.088 "
Conductor material	TC (tinned copper)
Conductor insulation material	PVC
Conductor size	7 x 16 AWG [Similar to 1.50 mm ²]
Number of strands x O.D.	19 x 0.0117 "
Conductor colors	WH/BK, BK, WH, RD, OG, BU, GN/YE



Electrical properties at +20 °C

Rated voltage	600 V
Current	8 A

Mechanical and chemical properties

Bending radius (static)	≥ 5 x Ø
Bending radius (dynamic)	≥ 10 x Ø
UL cold bend rating	-40 °C
Ambient temperature range (static)	-40...+105 °C
Ambient temperature range (dynamic)	5...+105 °C
Temperature range (installation)	-10...+105 °C

Approval

Approvals	UL 2238 CE RoHS
-----------	-----------------------

Note

- Flex ratings may be reduced if used in extreme temperatures, exposure to certain chemicals, operating above the rated cycle speed, or operating below the rated cable bend radius.

- We reserve the right to make technical alterations without prior notice.