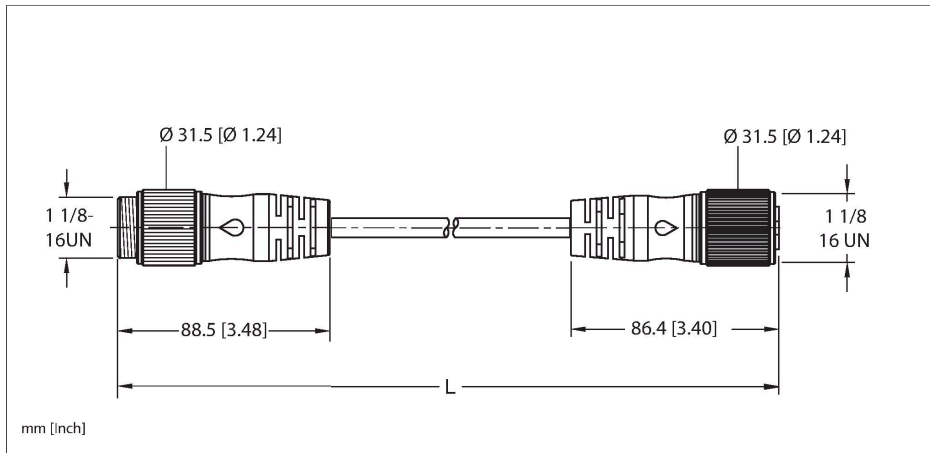


RSM RKM 96-xM

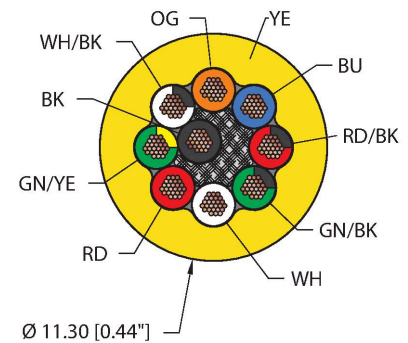
Actuator and Sensor Cable – Extension Cable



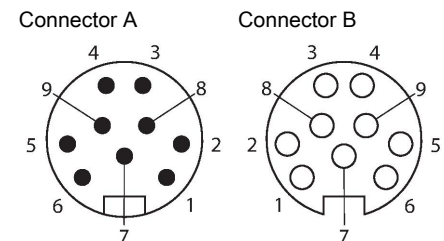
Features

-
- 1-1/8" Male, Straight, 9-pin
- 1-1/8" Female, Straight, 9-pin
- Instrumentation Tray Cable
- Yellow PVC jacket, 9X16 AWG
- Sunlight Resistant
- -40 Cold Bend Rating
- Oil Resistant
- Flame Ratings: UL 1685 FT4, UL1061, CSA FT4

Cable cross section



Contact assignment



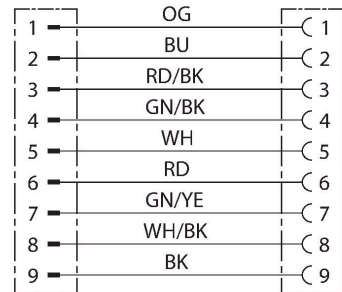
Technische Daten

Type	RSM RKM 96-xM
ID	777002324
Connector A	Male, 1 1/8"-16 UN, Straight
Number of contacts	9
Contacts	Brass, CuZn, Gold-plated
Contact carriers	Plastic, TPU, Yellow
Connector body	Plastic, TPU, Yellow
Coupling nut	Brass, CuZn, Nickel-plated
Tightening torque	3 Nm
Mechanical life	> 100 Mating cycles
Pollution degree	3
Protection class (When coupled)	IP67, IP68, IP69, IP69K
	NEMA: 1, 3, 4, 6P, 12
Connector B	Female, 1 1/8"-16 UN, Straight
Number of contacts	9
Contacts	Brass, CuZn, Gold-plated
Contact carriers	Plastic, TPU, Yellow
Connector body	Plastic, TPU, Yellow
Coupling nut	Brass, CuZn, Nickel-plated
Protection class (When coupled)	IP67, IP68, IP69, IP69K
	NEMA: 1, 3, 4, 6P, 12
Cable data	
Cable ID	RF51033
Total number of conductors	9

RSM RKM 96-xM | 21-02-2025 19-46 | Technische Änderungen vorbehalten

Technische Daten

Cable diameter	Ø 11.3 mm
Cable jacket	PVC, Yellow
Conductor diameter	0.088 "
Conductor material	TC (tinned copper)
Conductor insulation material	PVC
Conductor size	9 x 16 AWG [Similar to 1.50 mm ²]
Number of strands x O.D.	19 x 0.0117 "
Conductor colors	OG, BU, RD/BK, GN/BK, WH, RD, GN/ YE, WH/BK, BK



Electrical properties at +20 °C

Rated voltage	600 V
Current	7 A

Mechanical and chemical properties

Bending radius (static)	≥ 5 x Ø
Bending radius (dynamic)	≥ 10 x Ø
UL cold bend rating	-40 °C
Ambient temperature range (static)	-40...+105 °C
Ambient temperature range (dynamic)	5...+105 °C
Temperature range (installation)	-10...+105 °C

Approval

Approvals	UL 2238 CE RoHS
-----------	-----------------------

Note

- Flex ratings may be reduced if used in extreme temperatures, exposure to certain chemicals, operating above the rated cycle speed, or operating below the rated cable bend radius.

- We reserve the right to make technical alterations without prior notice.