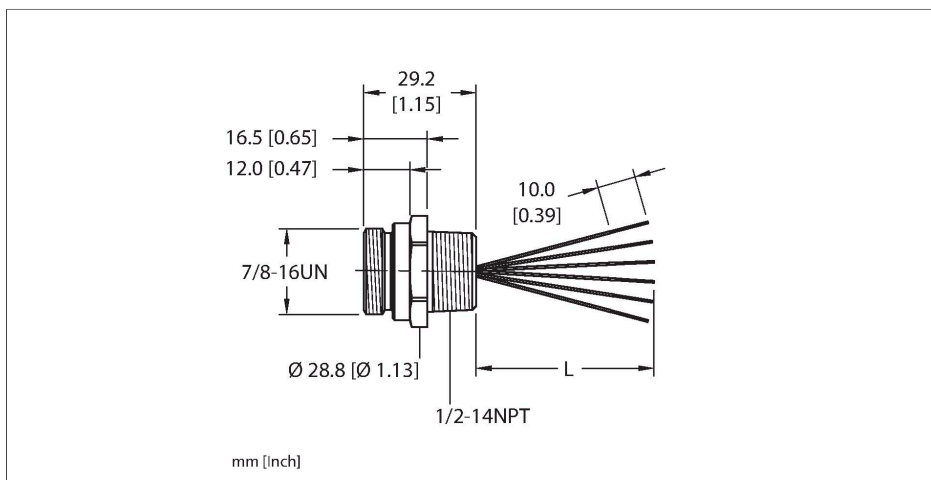


# RSF 66-xM/NPT

## Actuator and Sensor Receptacle – Front Mount



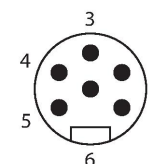
### Features



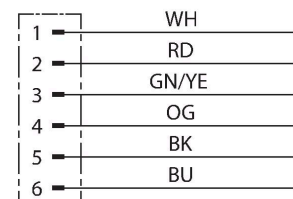
- 7/8" minifast, Male, Receptacle, 6-pin
- Mounting thread: 1/2"-14 NPT

### Contact assignment

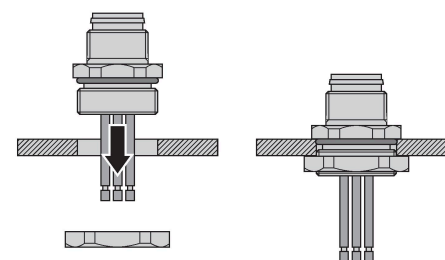
Connector A



### Circuit Diagram



### Front panel mounting



### Technische Daten

Type	RSF 66-xM/NPT
ID	777002963
Connector A	Male, 7/8"-16 UN
Number of contacts	6
Contacts	Brass, CuZn, Gold-plated
Contact carriers	Plastic, TPU, Black
Housing material/finish	Brass, CuZn, Nickel-plated
Tightening torque (range)	3.5 ... 10.2 Nm (note max. torque of mating connector!)
Mounting orientation	Front mount
Mounting thread	1/2"-14 NPT
Receptacle mounting torque	3.5...10.2 Nm
Mechanical life	> 100 Mating cycles
Pollution degree	3
Protection class (When coupled)	IP67, IP68, IP69, IP69K NEMA: 1, 3, 4, 6P, 12
Total number of conductors	6
Conductor material	TC (tinned copper)
Conductor insulation material	PVC
Conductor size	16 AWG [Similar to 1.50 mm <sup>2</sup> ]
Conductor colors	WH, RD, GN/YE, OG, BK, BU
<b>Electrical properties at +20 °C</b>	
Rated voltage	600 V
Current	8 A

## Technische Daten

### Mechanical and chemical properties

Ambient temperature range (static) -40...+105 °C

Approvals  
UL 2238  
CSA C22.2 No. 182.3  
CE  
RoHS

### Note

- We reserve the right to make technical alterations without prior notice.