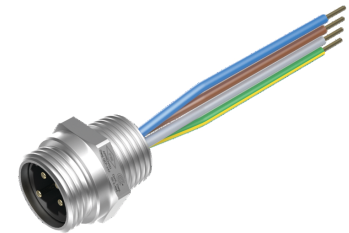
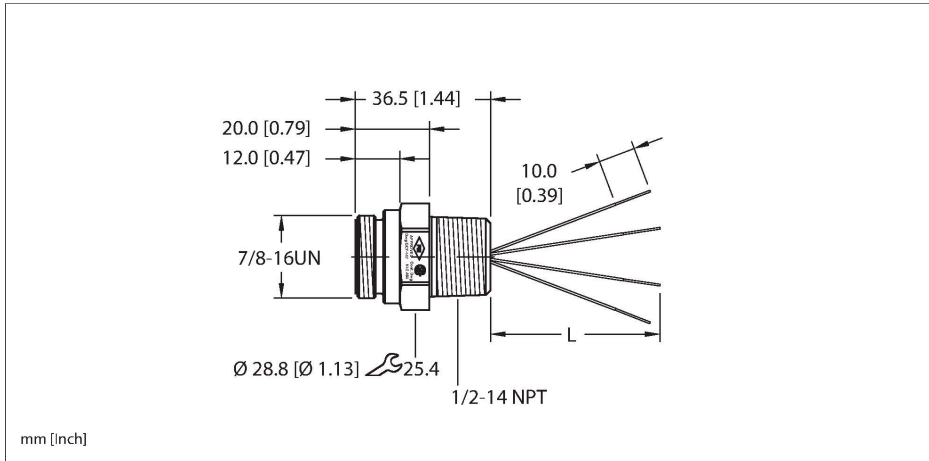


P-RSFV 40D EX-*/14.5/NPT Hazardous Location Receptacle – Front Mount



Technical data

Type	P-RSFV 40D EX-*/14.5/NPT
ID	777003009
Connector A	Male, 7/8"-16 UN
Number of contacts	4
Contacts	Brass, CuZn, Gold-plated
Contact carriers	Plastic, TPU, Black
Housing material/finish	Stainless Steel, 1.4401 (AISI 316), Passivated
Tightening torque	2 Nm
Mounting orientation	Front mount
Mounting thread	1/2"-14 NPT
Receptacle mounting torque	3.5...10.2 Nm
Mechanical life	> 100 Mating cycles
Pollution degree	3
Protection class (When coupled)	IP67, IP68, IP69, IP69K
	NEMA: 1, 3, 4, 4X, 6P, 12
Total number of conductors	4
Conductor material	TC (tinned copper)
Conductor insulation material	PVC
Conductor size	18 AWG [Similar to 0.75 mm²]
Conductor colors	BU, BN, GY, GNYE
Electrical properties at +20 °C	
Rated voltage	600 V
Current	9 A

Features



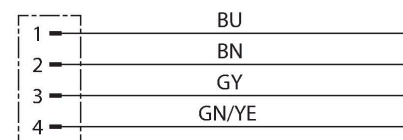
- 7/8" minifast, Male, Receptacle, 4-pin
- Mounting thread: 1/2"-14 NPT
- Explosion-proof feedthrough

Contact assignment

Connector A



Circuit Diagram



Technical data

Mechanical and chemical properties

Ambient temperature range (static) -55...+105 °C

Approvals
 UL 2238
 UL Div. 2
 FM Div.2
 CSA Div. 2
 CE
 RoHS

Note

- CAUTION: RISK OF ELECTRICAL SHOCK. DO NOT DISCONNECT UNDER LOAD.

- We reserve the right to make technical alterations without prior notice.

Front panel mounting

