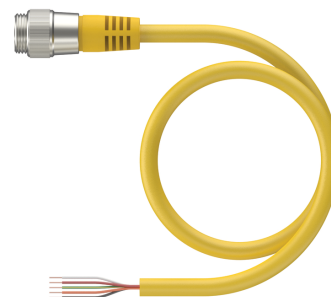
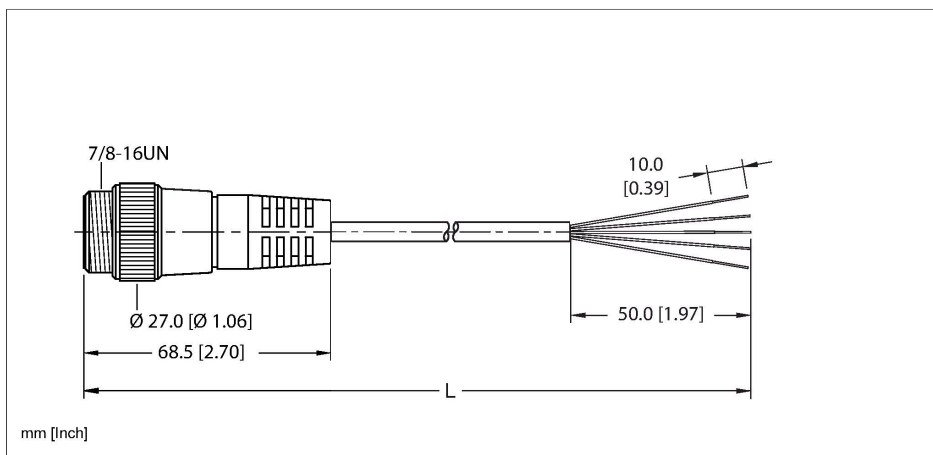


RSM 56-xM

Actuator and Sensor Cable – Connection Cable



Technische Daten

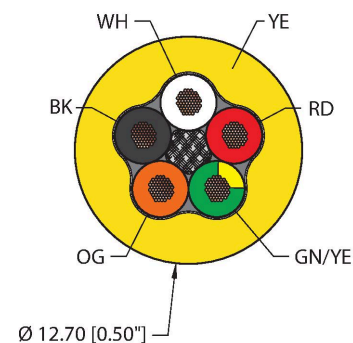
Type	RSM 56-xM
ID	777003192
Connector A	Male, 7/8"-16 UN, Straight
Number of contacts	5
Contacts	Brass, CuZn, Gold-plated
Contact carriers	Plastic, TPU, Yellow
Connector body	Plastic, TPU, Yellow
Coupling nut	Brass, CuZn, Nickel-plated
Tightening torque	2 Nm
Mechanical life	> 100 Mating cycles
Pollution degree	3
Protection class (When coupled)	IP67, IP68, IP69, IP69K NEMA: 1, 3, 4, 6P, 12
Cable data	
Cable ID	RF50539
Total number of conductors	5
Cable diameter	Ø 12.7 mm
Cable jacket	PVC, Yellow
Conductor diameter	0.12 "
Conductor material	BC (bare copper)
Conductor insulation material	PVC
Conductor size	5 x 16 AWG [Similar to 1.50 mm ²]
Number of strands x O.D.	65 x 34 AWG
Conductor colors	WH, RD, GN/YE, OG, BK

Features



- 7/8" Male, Straight, 5-pin
- Flexible Service Cable
- Yellow PVC jacket, 5X16 AWG
- Sunlight Resistant
- -40 Cold Bend Rating
- Oil Resistant
- Flame Ratings: UL 1100, CSA FT2

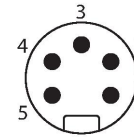
Cable cross section



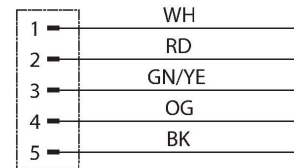
Contact assignment

Technische Daten

Connector A



Circuit Diagram



Electrical properties at +20 °C

Rated voltage	600 V
Current	10 A

Mechanical and chemical properties

Bending radius (static)	$\geq 5 \times \varnothing$
Bending radius (dynamic)	$\geq 10 \times \varnothing$

UL cold bend rating	-40 °C
---------------------	--------

Ambient temperature range (static)	-40...+105 °C
------------------------------------	---------------

Ambient temperature range (dynamic)	5...+105 °C
-------------------------------------	-------------

Temperature range (installation)	-10...+105 °C
----------------------------------	---------------

Approval

Approvals	UL 2238 CSA C22.2 No. 182.3 CE UKCA RoHS
-----------	--

Note

- Flex ratings may be reduced if used in extreme temperatures, exposure to certain chemicals, operating above the rated cycle speed, or operating below the rated cable bend radius.

- We reserve the right to make technical alterations without prior notice.